

- EXCAVATE 4" DEEP TRENCH FOR LENGTH OF BALES.
 - PLACE AND STAKE BALES. TWO (2) STAKES PER BALE.
 - WEDGE LOOSE STRAW BETWEEN BALES.
 - BACKFILL AND COMPACT THE EXCAVATED SOIL ON UPHILL SIDE OF BARRIER.
1. INSPECT BALES AFTER EACH STORM EVENT.
2. REMOVE ACCUMULATED SEDIMENT FROM BALES WHEN IT REACHES 1/2 THE HEIGHT OF THE BARRIER.
- HAYBALES SHALL CONFORM TO ARTICLE 2.18.02 OF D.O.T. FORM 814A-1995

CONSTRUCTION NOTES:

- THE CONTRACTOR SHALL BE FULLY RESPONSIBLE FOR JOB SAFETY. DISCREPANCIES IN THE PLANS SHALL BE BROUGHT TO THE ATTENTION OF THE ENGINEER IMMEDIATELY FOR RESOLUTION.
- ALL MATERIALS AND METHODS OF CONSTRUCTION SHALL MEET CONNECTICUT D.O.T. STANDARDS FOR ITEMS NOT SPECIFIED IN CITY REGULATIONS.
- ALL CATCH BASINS, MANHOLES, PIPING AND OTHER UTILITY COMPONENTS WITHIN TRAFFIC AREAS SHALL BE CAPABLE OF SUPPORTING H-20 LOADING.
- IT IS THE CONTRACTORS RESPONSIBILITY TO VERIFY ALL ON-SITE AND OFF-SITE FIELD CONDITIONS AND VERIFY THAT NO CHANGES HAVE OCCURRED SINCE THE ISSUANCE OF THIS PLAN. THE DESIGN ENGINEER IS TO BE NOTIFIED OF ANY CHANGES WHICH CONFLICT WITH THIS PLAN.
- THE EROSION CONTROL LINE (SF) IS TO BE CONSIDERED AS THE LIMIT OF CONSTRUCTION UNLESS OTHERWISE NOTED.
- THE CONTRACTOR SHALL VERIFY ALL DIMENSIONS, ELEVATIONS AND QUANTITIES SHOWN ON THESE PLANS PRIOR TO PROCEEDING WITH CONSTRUCTION AND ANY DISCREPANCIES SHALL BE REPORTED TO THE ENGINEER WHOM SHALL HAVE FINAL SAY AS TO THE ACTUAL DIMENSIONS TO CONSTRUCT BY.
- STRICT ADHERENCE TO ALL OSHA, CITY AND STATE OF CONNECTICUT REGULATIONS REGARDING CONSTRUCTION IS REQUIRED AT ALL TIMES.
- UTILITY LOCATIONS WILL BE AS DETERMINED BY THE UTILITY COMPANIES.
- THE LOCATION AND ELEVATION OF UNDERGROUND UTILITIES IS UNKNOWN. IF THEY ARE INDICATED AT ALL ON THESE PLANS, THEY ARE APPROXIMATE. BERKSHIRE SURVEYING, L.L.C AND DSM, LLC SHALL NOT BE RESPONSIBLE FOR ANY DAMAGES AND/OR ADDITIONAL COSTS WHICH MIGHT RESULT FROM THE EXISTENCE OF SAID UTILITIES.
- THE CONTRACTOR SHALL DETERMINE THE EXACT LOCATION OF ALL EXISTING UTILITIES BEFORE COMMENCING ANY WORK AND AGREES TO BE FULLY RESPONSIBLE FOR ANY AND ALL DAMAGES WHICH MIGHT OCCUR BY HIS FAILURE TO EXACTLY LOCATE AND PRESERVE ANY AND ALL UNDERGROUND UTILITIES.
- ALL GRADING SHALL BE PERFORMED TO ELIMINATE LOW POINTS AND DEPRESSIONS WHICH WOULD TRAP SURFACE WATER. CONTACT THE DESIGN ENGINEER IF CHANGES ARE WARRANTED.
- MINOR GRADING CHANGES ARE PERMITTED TO MEET FIELD CONDITIONS PROVIDED PRIOR APPROVAL IS OBTAINED FROM THE ENGINEER.
- ALL BACKFILL FOR BUILDINGS, TRENCHES, STRUCTURES, PARKING, DRIVEWAY AND SIDEWALK ETC. SHALL BE ADEQUATELY COMPACTED TO PREVENT EXCESSIVE SETTLEMENT.

EROSION AND SEDIMENTATION CONTROL NARRATIVE

- Start and Completion Dates:**
Start Date: Fall 2023
Completion Date: Fall 2025 (Application Renewal Date)
- Construction Sequence**
- Obtain all permits
 - Notify "Call Before You Dig" for utility marking.
 - Install sediment fence at the toe of all proposed fill slopes and as shown on the site plans and install construction entrance.
 - Clear and grub all areas of excavation. (Do not clear more than 5 acres without prior authorization from the planning commission.)
 - Remove and stockpile topsoil in all areas of excavation and fill. Stockpiles to be seeded with annual rye grass and mulched.
 - Place and compact gravel subbase.
 - Place and compact millings.
 - Place a minimum of 4" of topsoil on access driveway shoulders.
 - Topsoil to be fertilized, seeded and mulched immediately.

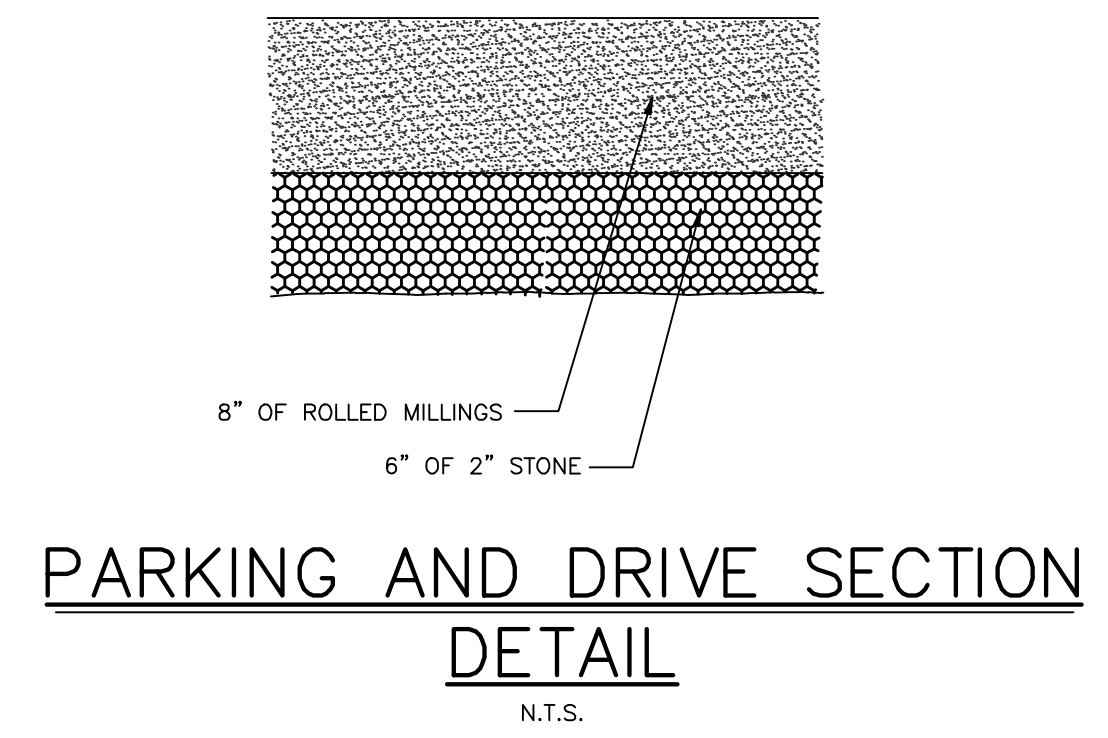
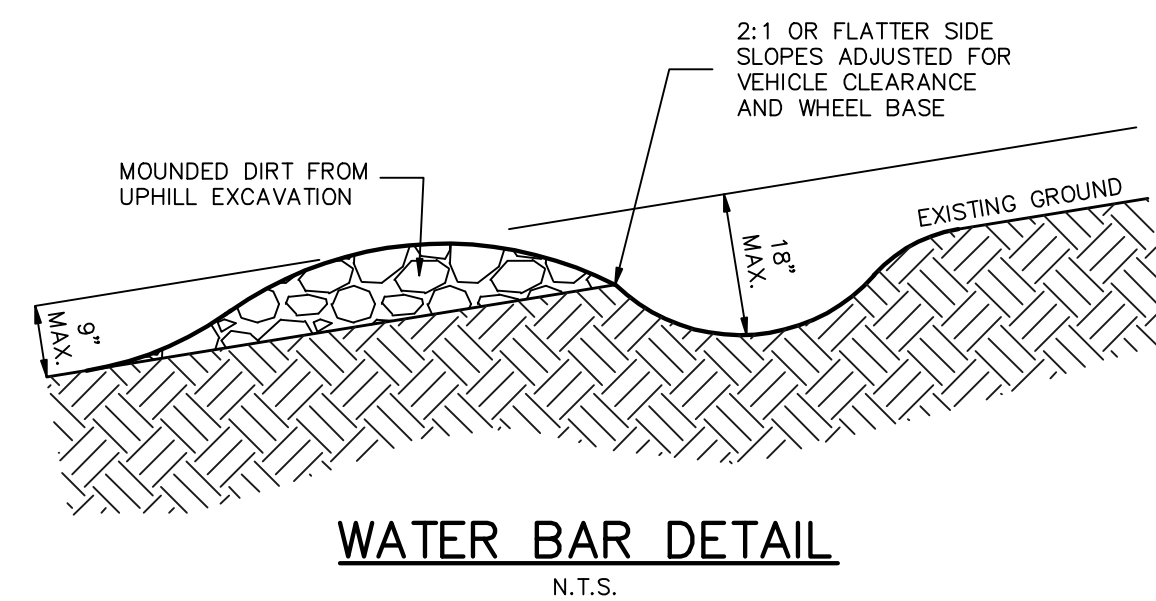
- General Requirements**
- Erosion and sedimentation control measures to be installed at the toe of slopes or as shown on the plans.
 - All measures to be installed prior to ground disturbance.
 - Topsoil to be stripped, stockpiled and seeded in all areas of proposed grading.
 - Erosion control measures to be maintained throughout the construction process until disturbed areas are stabilized.
 - Additional control measures may be necessary.
 - The owner of record / contractor shall be responsible for the installation and maintenance of erosion controls.
 - The responsible person in charge is: Mr. Daniel Staughton 860-307-7157
 - All erosion and sedimentation controls to be installed in accordance with the 2002 CT Guidelines for Soil Erosion and Sediment Control handbook.

- Maintenance of Erosion Controls**
- Erosion controls to be maintained throughout the construction process.
 - All measures to be checked weekly and or prior to predicted rainfall.
 - All measures to have silt removed prior to predicted rainfall or as required.
 - All silt to be disposed of outside of any construction areas such as roadways, driveways and buildings.
 - All silt to be disposed of in a proper manner.

Dust Control
The purpose of dust control is to prevent blowing and movement of dust from exposed soil surfaces and reduce the presence of dust which may cause off-site damage.

- Possible Methods:**
- Water
The exposed soil surface should be moistened periodically with adequate water to control dust.
 - Calcium Chloride
Place loose dry granules through a spreader at a rate that will keep the surface moist.
This method to be used when other methods are not practical.
- Maintenance**
Temporary methods to be repeated as needed to accomplish control.

- GENERAL NOTES:**
- Owner/applicant: A.J.K. LLC
179 Colebrook River Road
Winsted, CT 06098
 - #637: Assessors # Map 236, Block 1, Lots 10 & 11, Zone IP, 19.818±Ac.
 - #659: Assessors # Map 236, Block 1, Lots 9, Zone LB, 1.158±Ac.
 - Boundary information based on survey by Berkshire Surveying, LLC.
 - Topographic information based on aerial photogrammetry and field update in the areas of excavation by Berkshire Surveying, LLC, in August of 2023.
 - All construction to conform to City and State of Connecticut specifications.
 - The Director of Public Works may require additional work and modifications to this plan as field conditions warrant.
 - Prior to any on site activity all soil erosion and sediment control measures shall be in place and inspected by the Wetland Enforcement Officer.
 - Notify "CALL BEFORE YOU DIG" at 1-800-922-4455
 - Sewer, water and gas services will not be extended into the property.
 - No lighting is proposed for this use.
 - A pre-blast survey shall be performed by the Fire Marshal's office prior to construction.



DETAILS AND NOTES
PREPARED FOR
AJK, LLC
637 & 659 WINSTED ROAD
CT ROUTE #800
TORRINGTON, CONNECTICUT

DSM, LLC
DENNIS MCMORROW, P.E. / (860) 307-5677
617 BEACH STREET, GOSHEN, CT 06756

SCALE: AS NOTED
PROJECT NO.: 2023-022-DET-(2023)
SHEET D1
DATE: 10/10/2023

[Signature]
Not valid without original seal