

**EROSION AND SEDIMENTATION CONTROL NOTES:**

- EROSION AND SEDIMENTATION CONTROL MEASURES TO BE INSTALLED AT THE TOE OF SLOPES OR AS SHOWN ON THE PLANS.
- ALL MEASURES TO BE INSTALLED PRIOR TO GROUND DISTURBANCE.
- TOPSOIL TO BE STRIPPED, STOCKPILED AND SEEDED IN ALL AREAS OF PROPOSED GRADING.
- EROSION CONTROL MEASURES TO BE MAINTAINED THROUGHOUT THE CONSTRUCTION PROCESS UNTIL DISTURBED AREAS ARE STABILIZED. ADDITIONAL CONTROL MEASURES MAY BE NECESSARY.
- THE OWNER OF RECORD / CONTRACTOR SHALL BE RESPONSIBLE FOR THE INSTALLATION AND MAINTENANCE OF EROSION CONTROLS.
- ALL EROSION AND SEDIMENTATION CONTROLS TO BE INSTALLED IN ACCORDANCE WITH THE 2002 CT GUIDELINES FOR SOIL EROSION AND SEDIMENT CONTROL.

**NOTES:**

- THIS PLAN IS FOR THE DESIGN OF A SEPTIC SYSTEM IN ACCORDANCE WITH STATE AND LOCAL HEALTH CODES. IT IS NOT A GUARANTEE AGAINST FAILURE DUE TO LACK OF MAINTENANCE, MISUSE, IMPROPER INSTALLATION OR CONDITIONS WHICH WERE BEYOND THE NORMAL FIELD INVESTIGATION.
- THE SEPTIC SYSTEM IS DESIGNED FOR DOMESTIC SEWAGE ONLY.
- THE PURPOSE OF THIS PLAN IS FOR THE DESIGN OF THE SEPTIC SYSTEM ONLY. THE HOUSE, DRIVEWAY AND ASSOCIATED GRADING AND ELEVATIONS SHOWN FOR THESE ITEMS ARE FOR SCHEMATIC PURPOSES ONLY.
- BENCHMARK TO BE SET PRIOR TO CONSTRUCTION.
- THE SEPTIC SHALL BE STAKED OUT IN THE FIELD BY A LICENSED SURVEYOR.
- BOUNDARY INFORMATION BASED ON MAP ENTITLED "PROPERTY SURVEY MAP PREPARED FOR WALTER J. SOLYWODA, WESTSIDE ROAD TORRINGTON, CONNECTICUT" DATE: NOVEMBER, 1996 BY ROBERT C. STERLING LICENSED LAND SURVEYOR TORRINGTON, CONNECTICUT.
- WETLANDS WERE IDENTIFIED IN FIELD BY GEORGE MALIA, SOIL SCIENTIST AND LOCATED BY THIS OFFICE.
- TOPOGRAPHIC INFORMATION BASED ON FIELD SURVEY BY THIS OFFICE.
- LOT AREA: 1.65 ± ACRES

**CONSTRUCTION NOTES:**

- TOPSOIL TO BE REMOVED FROM THE SYSTEM AREA AND THE EXISTING GROUND TO BE FURROWED PARALLEL TO THE CONTOURS PRIOR TO PLACING APPROVED SEPTIC FILL.
- SEPTIC FILL TO CONSIST OF CLEAN SAND.
- SEPTIC FILL TO BE "SELECT FILL" WITH THE FOLLOWING SPECIFICATIONS: **MAXIMUM PERCENT GRAVEL (LARGER THAN No.4 SIEVE): 45%**

SIEVE NUMBER	PERCENT PASSING WET SIEVE	PERCENT PASSING DRY SIEVE
4	100	100
40	70-100	10-75*
100	0-20	0-5
200	0-5	0-2.5

\*PERCENT PASSING THE #40 SIEVE CAN BE INCREASED TO NO GREATER THAN 75% IF THE PERCENT PASSING THE #100 SIEVE DOES NOT EXCEED 10% AND THE #200 SIEVE DOES NOT EXCEED 5%.

**DESIGN CRITERIA**

NO. OF BEDROOMS	3
PERCOLATION RATE	10.1-20 MIN./INCH
LEACHING AREA REQ'D (S.F.)	675
LEACHING AREA PROV. (S.F.)	711.9

**DESIGN FLOW LINES / ELEVATIONS**

	IN	OUT	DIRECTION
HOUSE		EXISTING	TO TANK
SEPTIC TANK	**258.25	**285.0	TO DB 1
P.M.P. CH.	**284.7	-	TO DB 1
DB 1	296.7	296.5	TO TRENCH
		296.7	TO DB 2
DB 2	295.9	295.7	TO TRENCH

\*\*ELEVATION TO BE VERIFIED PRIOR TO CONSTRUCTION

**MLSS - MINIMUM LEACHING SYSTEM SPREAD**

DEPTH TO RESTRICTION	18"
GRADE	10.1-15%
HYDRAULIC FACTOR	28
FLOW FACTOR	1.5
PERCOLATION FACTOR	1.25
MLSS REQUIRED	52.5'
MLSS PROVIDED	96.2'

**Deep test pits and percolation tests results**

6/11/20  
 Deep test pit #1  
 0-48" Topsoil/rocks/fill  
 48-60" Grey mottled compact sandy loam

Deep test pit #2  
 0-24" Topsoil/fill  
 24-60" Grey compact mottled sandy loam

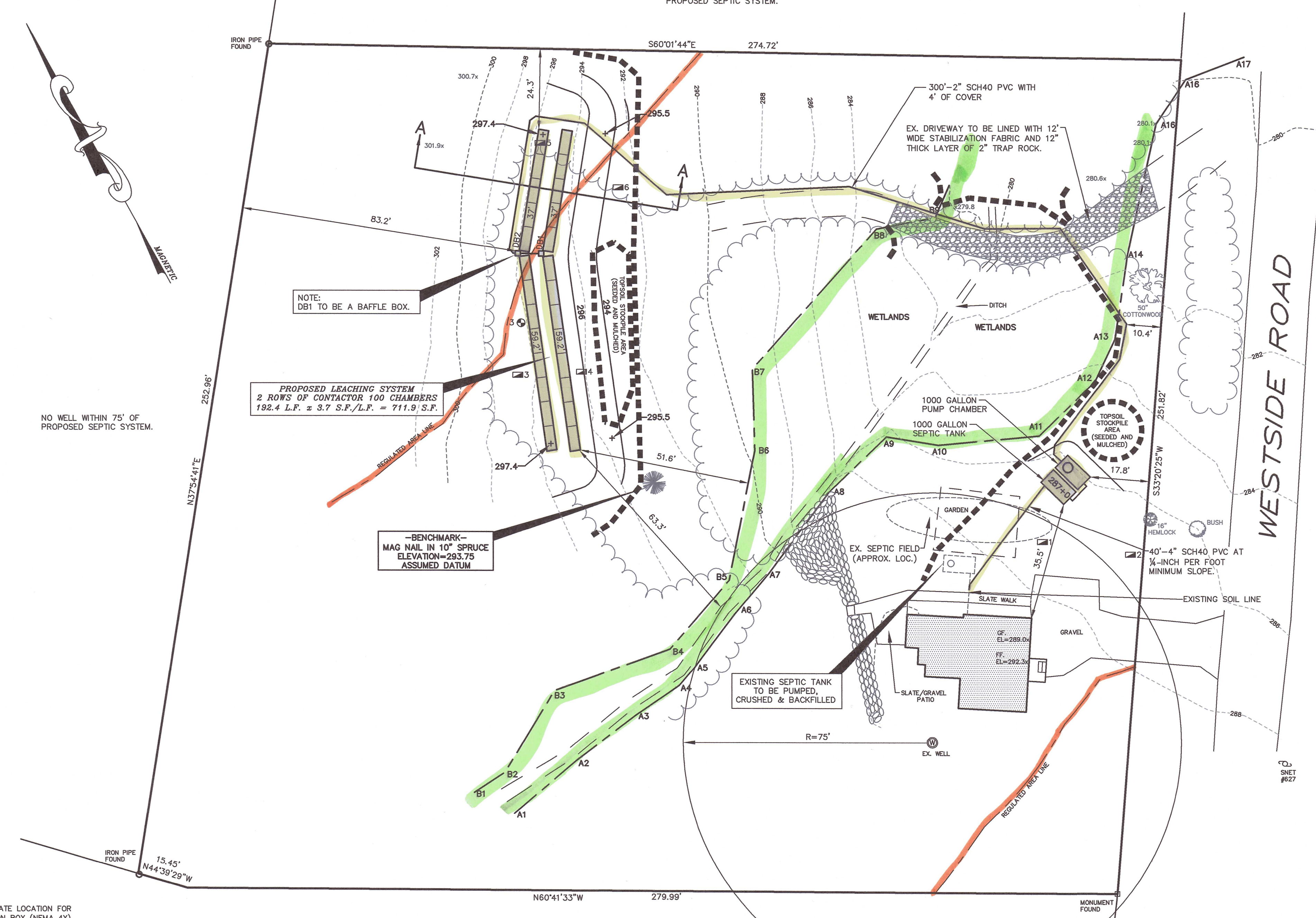
Deep test pit #3  
 0-9" Topsoil  
 9-22" Orange brown friable sandy loam  
 22-55" Grey compact sandy loam  
 Mottling @ 22"  
 Roots @ 22"  
 No water  
 No ledge

Deep test pit #4  
 0-10" Topsoil  
 10-19" Orange brown friable sandy loam  
 19-48" Grey compact sandy loam  
 Mottling @ 19"  
 Roots @ 19"  
 No water  
 No ledge

Deep test pit #5  
 0-12" Topsoil  
 12-24" Orange brown friable sandy loam  
 24-64" Grey compact sandy loam  
 Mottling @ 24"  
 Roots @ 24"  
 No water  
 No ledge

Deep test pit #6  
 0-10" Topsoil  
 10-18" Orange brown friable sandy loam  
 18-62" Grey compact sandy loam  
 Mottling @ 18"  
 Roots @ 18"  
 No water  
 No ledge

8/19/20  
 Percolation test #3 18" deep - Presoak 2hr.  
 00 9.25"  
 05 14"  
 10 15.25"  
 15 16.5"  
 20 17"  
 25 17.75"  
 30 DRY  
 Percolation rate: 10min./inch

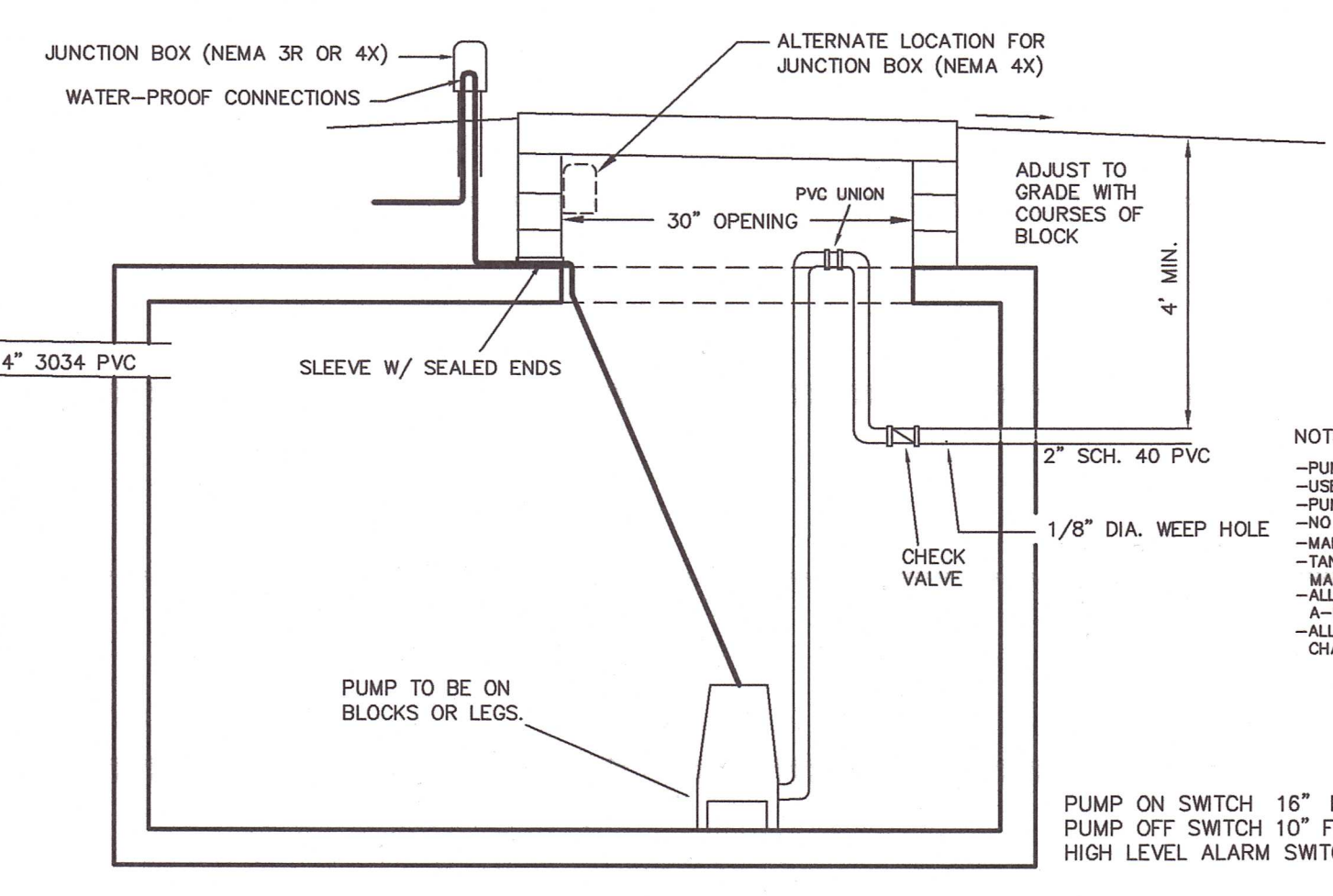


**LEGEND**

- PROPERTY LINE
- BLDG. SETBACK LINE
- EASEMENT LINE
- UTILITY POLE
- STONE WALL
- WATERCOURSE
- FLAGGED WETLANDS
- EXISTING CONTOUR
- PROPOSED CONTOUR
- EXISTING SPOT ELEVATION
- PROPOSED SPOT ELEVATION
- DEEP HOLE
- PERCOLATION TEST
- TREE LINE
- HAYBALE CHECK DAM
- SEDIMENT FENCE

**NOTES:**

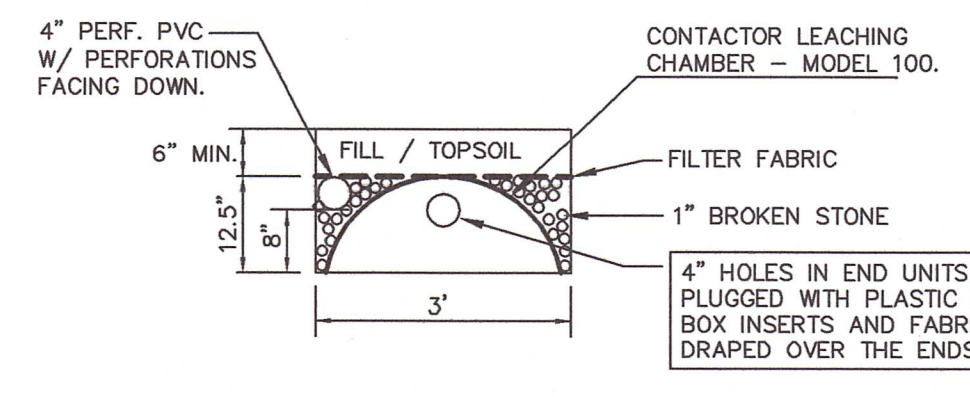
- PER TORRINGTON AREA HEALTH DISTRICT REGULATIONS, THE DESIGN ENGINEER SHALL PERFORM PERCOLATION TESTS IN THE IN-PLACE SEPTIC FILL ON SITE DURING CONSTRUCTION.
- PER TORRINGTON AREA HEALTH DISTRICT REGULATIONS, THE DESIGN ENGINEER OR TESTING LABORATORY WILL TAKE A COMPOSITE SAMPLE OF THE IN-PLACE SEPTIC FILL AND HAVE A SIEVE TEST PERFORMED. IT IS RECOMMENDED THAT THE SYSTEM NOT BE INSTALLED UNTIL THE SEPTIC FILL HAS PASSED THE SIEVE TEST.
- PER TORRINGTON AREA HEALTH DISTRICT REGULATIONS, THE DESIGN ENGINEER WILL INSPECT THE SEPTIC SYSTEM PRIOR TO BACKFILLING AND PREPARE A SEPTIC SYSTEM RECORD DRAWING.
- IT IS THE CONTRACTORS RESPONSIBILITY TO NOTIFY THE DESIGN ENGINEER 48 HOURS PRIOR TO ANY REQUIRED TESTS OR INSPECTIONS.



**NOTES:**

- PUMP TO BE GOULD WESSON - 1/2 H.P. OR EQUAL.
- USE HIGH WATER ALARM BELL AND MECHANICAL LEVEL CONTROL FLOAT SWITCHES OR EQUAL.
- PUMP CONTROLS TO BE PLACED OUTSIDE OF PUMP CHAMBER AND MANHOLE.
- NO ELECTRICAL SPACES INSIDE PUMP CHAMBER.
- MANHOLE SHALL BE OVER PUMP & UNION CONNECTIONS.
- TANKS UNDER TRAFFIC AREAS SHALL BE REINFORCED FOR H-20 LOADING, INCLUDING MANHOLE & COVER.
- ALL PIPE PENETRATIONS SHALL BE SEALED WITH FLEXIBLE, WATERPROOF CALK OR HAVE A-LOCK TYPE FLEXIBLE GASKETS.
- ALL PIPING AND VALVES SHALL BE NON-CORROSIVE PVC. CONNECTIONS WITHIN PUMP CHAMBER SHALL HAVE THREADED JOINTS TO ALLOW EASY DISASSEMBLY & REMOVAL.

PUMP ON SWITCH 16" FROM BOTTOM  
 PUMP OFF SWITCH 10" FROM BOTTOM  
 HIGH LEVEL ALARM SWITCH 4" ABOVE ON SWITCH



**CONTACTOR 100 LEACHING DETAIL**  
 N.T.S.

**SEPTIC SYSTEM REPAIR DESIGN**  
 PREPARED FOR  
**MICHAEL GUTOWSKI**  
 259 WESTSIDE ROAD  
 TORRINGTON, CONNECTICUT

**BERKSHIRE ENGINEERING & SURVEYING, LLC**

143 BANTAM LAKE ROAD  
 BANTAM, CONNECTICUT 06750

(860)567-8007  
 (860)567-8006 (fax)

Date: 11/09/20  
 Scale: 1"=20'

Proj. No.: 20-3371-(SEP)  
 Drawn By: MS

Sheet: 1/1  
 Map No.: 3371