

REVISIONS			
NO.	BY	DATE	DESCRIPTION
1	MMF	6/15/21	50% PROGRESS SET
2	MMF	6/29/21	ISSUE 50% PROGRESS SET
3	MMF	7/16/21	REVISED PER 50% REVIEW

PROJECT TITLE

STARBUCKS

1166 EAST MAIN STREET
TORRINGTON, CT 06790

Prepared For:
1166 EMS TORRINGTON, LLC

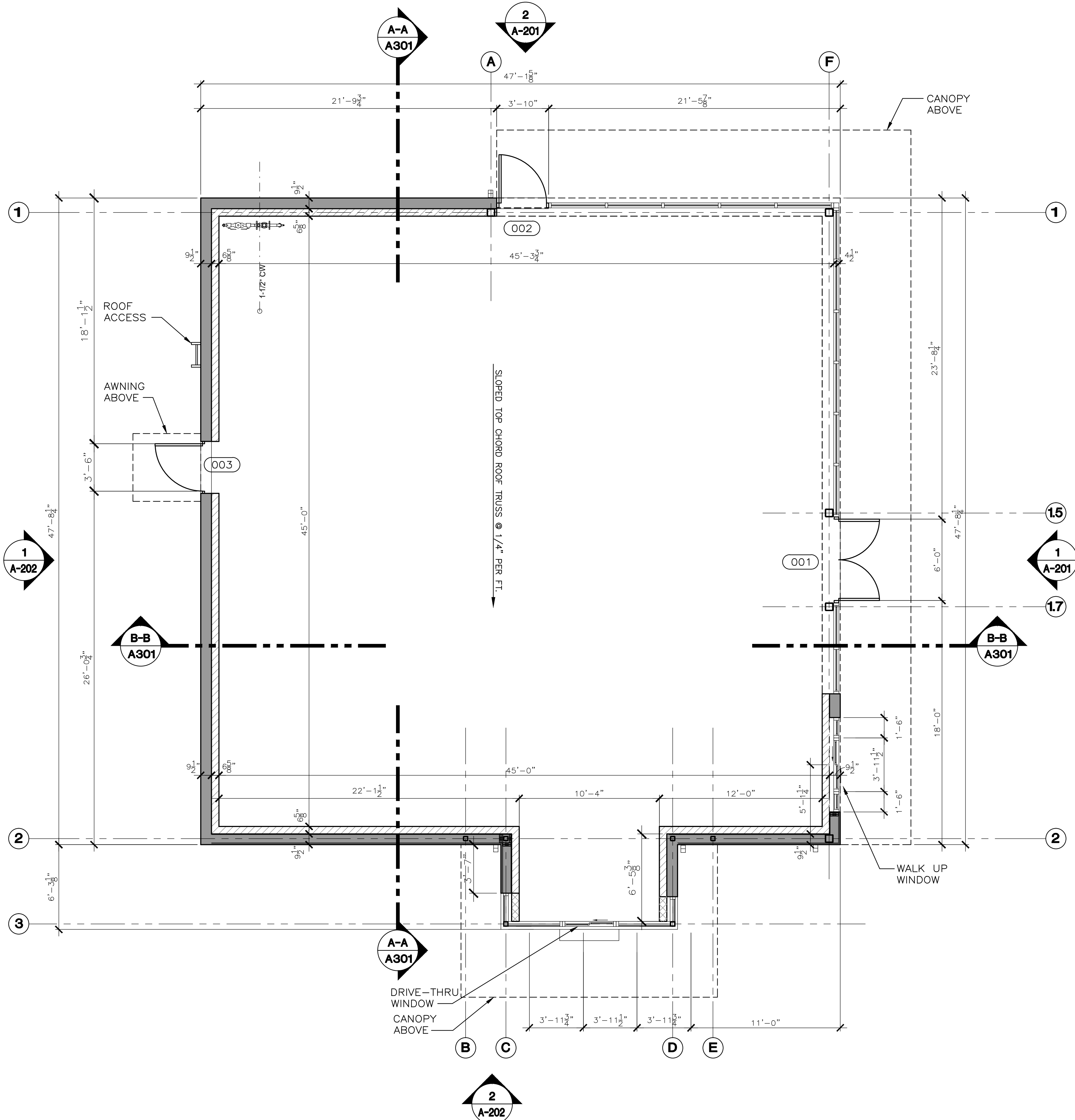
SHEET TITLE

FLOOR PLAN

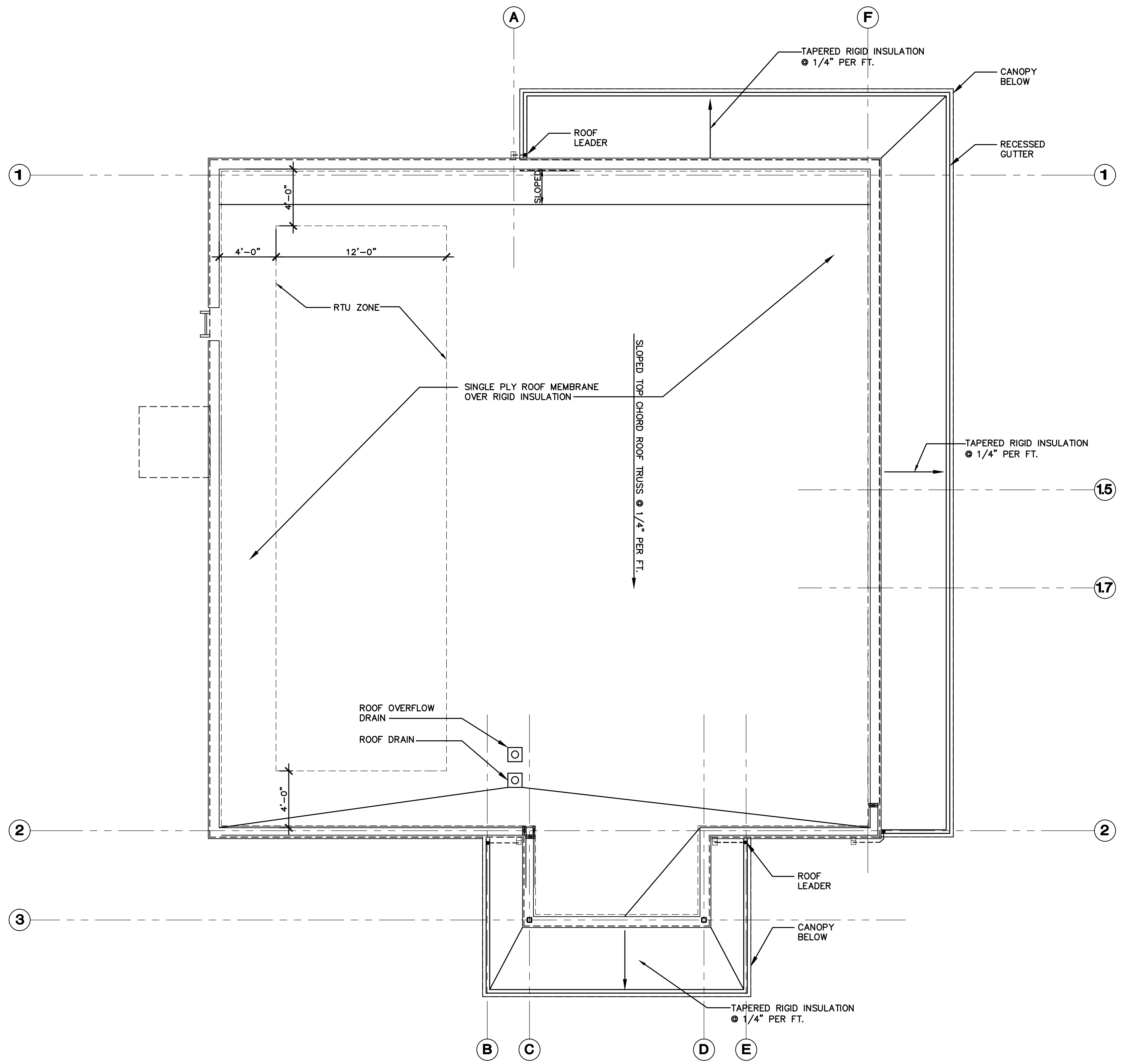
DESIGNED BY: TG	SCALE: AS NOTED
DRAWN BY: MS	DATE: 12-09-2021
CHECKED BY: PMR	PROJECT NUMBER: 2565
CAD FILE: R:/2562/ARCH	

SEAL SHEET NUMBER

A-111



FLOOR PLAN
SCALE: 1/4" = 1'-0"
LEASABLE AREA = 2103.5 SF.



ROOF PLAN
SCALE: 1/4" = 1'-0"

REVISIONS			
NO.	BY	DATE	DESCRIPTION
1	MMF	6/15/21	50% PROGRESS SET
2	MMF	6/29/21	ISSUE 50% PROGRESS SET
3	MMF	7/16/21	REVISED PER 50% REVIEW

PROJECT TITLE

STARBUCKS

1166 EAST MAIN STREET
TORRINGTON, CT 06790

Prepared For:
1166 EMS TORRINGTON, LLC

SHEET TITLE

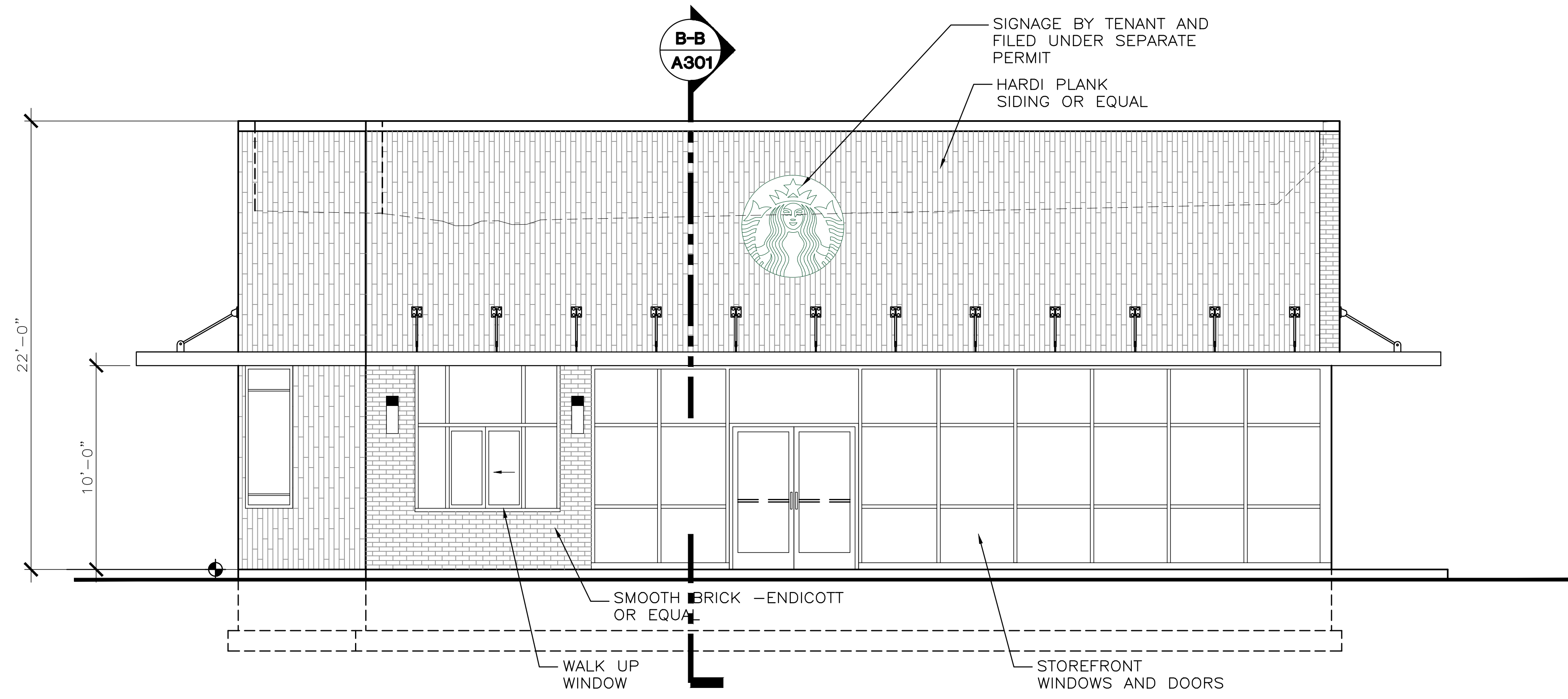
ROOF PLAN

DESIGNED BY: TG	SCALE: AS NOTED
DRAWN BY: MS	DATE: 12-09-2021
CHECKED BY: PMR	PROJECT NUMBER: 2565
CAD FILE: R:/2562/ARCH	

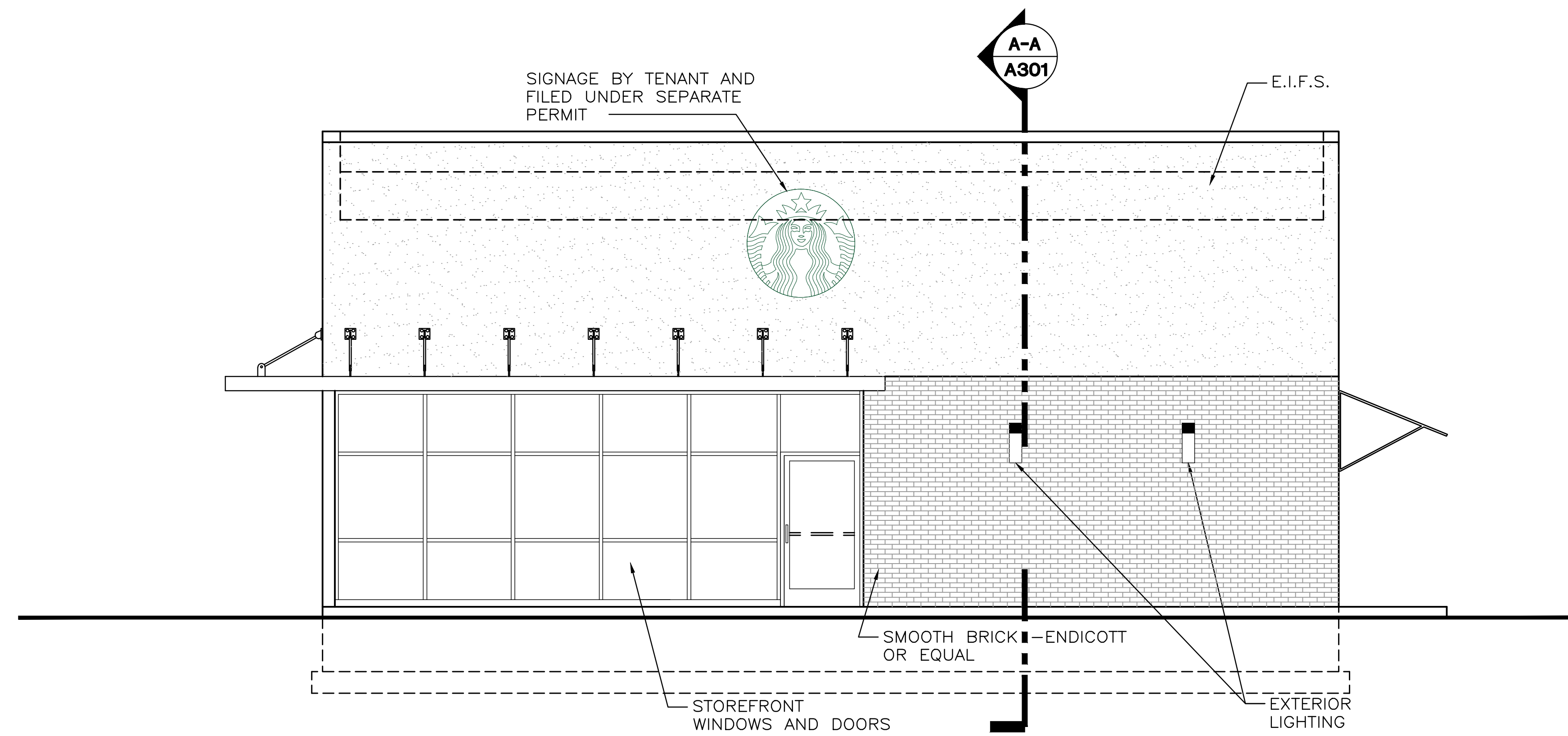
SEAL

SHEET NUMBER

A-112



1 FRONT ELEVATION
A-201 SCALE: 1/4" = 1'-0"



2 RIGHT SIDE ELEVATION
A-201 SCALE: 1/4" = 1'-0"

REVISIONS			
NO.	BY	DATE	DESCRIPTION
1	MMF	6/15/21	50% PROGRESS SET
2	MMF	6/29/21	ISSUE 50% PROGRESS SET
3	MMF	7/16/21	REVISED PER 50% REVIEW

PROJECT TITLE

STARBUCKS

1166 EAST MAIN STREET
TORRINGTON, CT 06790

Prepared For:

1166 EMS TORRINGTON, LLC

SHEET TITLE

EXTERIOR ELEVATIONS

DESIGNED BY: TG	SCALE: AS NOTED
DRAWN BY: MS	DATE: 12-09-2021
CHECKED BY: PMR	PROJECT NUMBER: 2565
CAD FILE: R:/2565/ARCH	

SEAL

SHEET NUMBER

A-201

REVISIONS			
NO.	BY	DATE	DESCRIPTION
1	MMF	6/15/21	50% PROGRESS SET
2	MMF	6/29/21	ISSUE 50% PROGRESS SET
3	MMF	7/16/21	REVISED PER 50% REVIEW

PROJECT TITLE

STARBUCKS

1166 EAST MAIN STREET
TORRINGTON, CT 06790

Prepared For:
1166 EMS TORRINGTON, LLC

SHEET TITLE

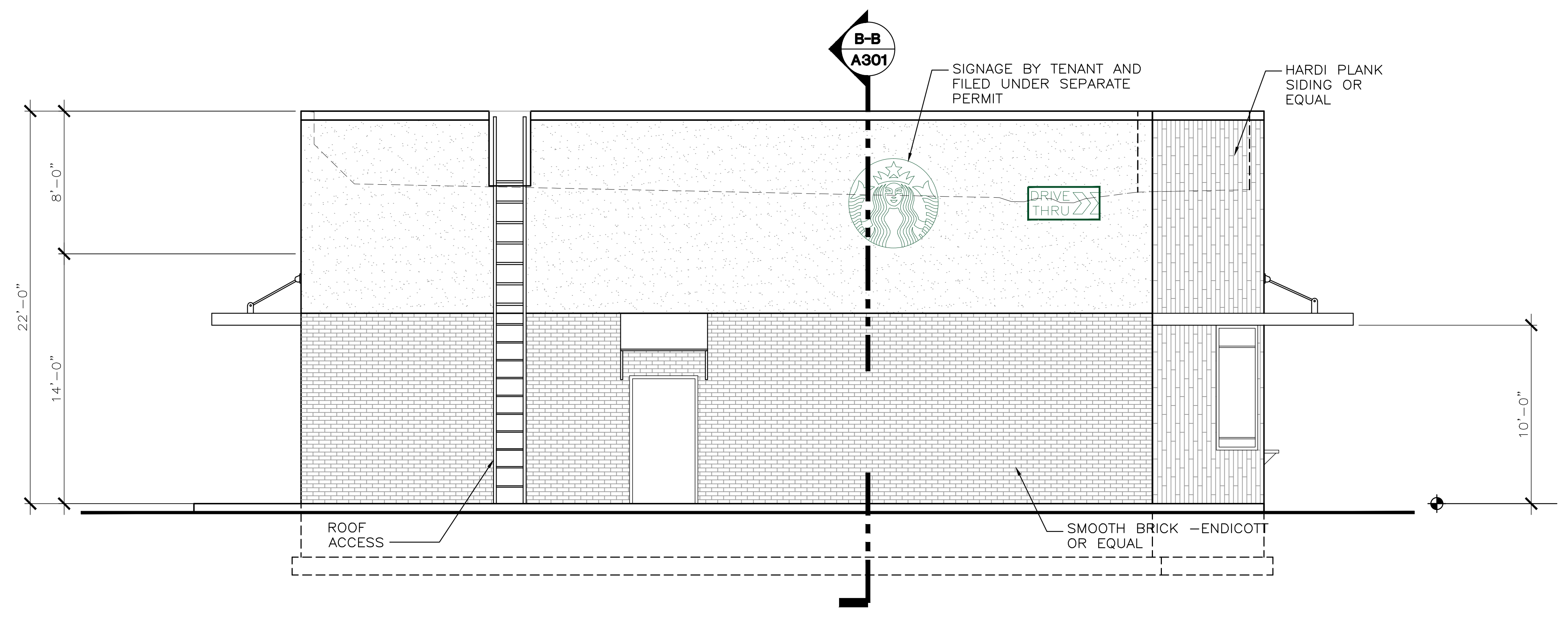
**EXTERIOR
ELEVATIONS**

DESIGNED BY: TG	SCALE: AS NOTED
DRAWN BY: MS	DATE: 12-09-2021
CHECKED BY: PMR	PROJECT NUMBER: 2565
CAD FILE: R:/2565/ARCH	

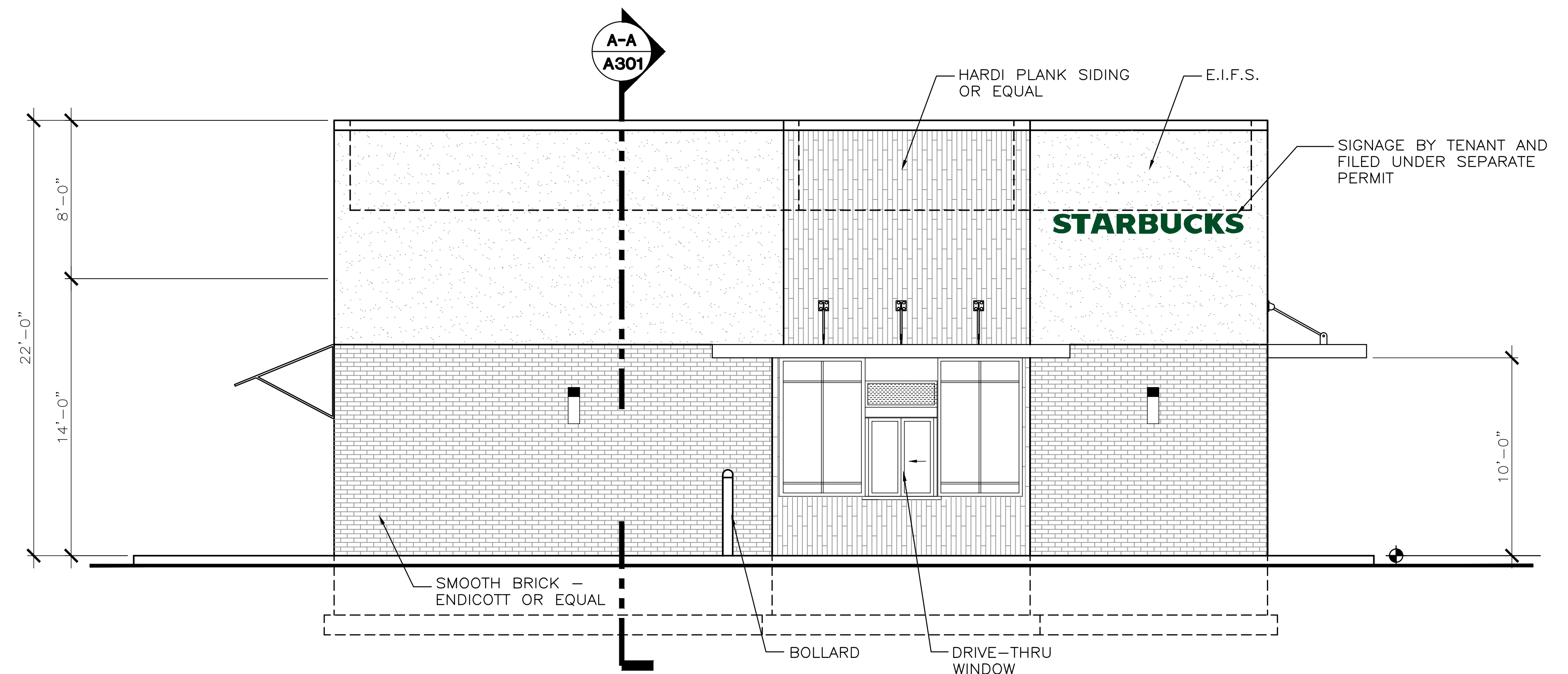
SEAL

SHEET NUMBER

A-202



1 REAR ELEVATION
A-202 SCALE: 1/4" = 1'-0"



2 LEFT SIDE ELEVATION
A-202 SCALE: 1/4" = 1'-0"

New Single Tenant Building Exterior



New Single Tenant Building Exterior



New Single Tenant Building Elevations



Main Entrance Elevation



Patio Elevation



Drive-Thru Lane Elevation



Rear Elevation

