

DOC140-FT LED [New Construction]

134-6459 (previous product code: 630-4641 for reference only!)

we-ef

1/4



Description

DOC140-FT LED for new construction. For remodel projects, see DOC140-FT LED [For Remodel] version. IP66, Class I. IK07. Marine-grade, die-cast aluminum alloy. 5CE superior corrosion protection including PCS hardware. Silicone CCG® Controlled Compression Gasket. Safety glass lens. Two cable entries. Integral driver in thermally separated compartment. CAD-optimized optics for superior illumination and glare control. Factory installed LED circuit board. DMX interface. The luminaire is factory- sealed and does not need to be opened during the installation. A pre-installation blackout, proud or flush, is available and recommended for mounting in concrete ceilings; to be ordered separately. Specify product with 7 Digit product code – Finish Color. Accessories, such as mounting, optical, and electrical, must be specified separately. Example: XXX-XXXX – 9004 (Black) + XXX-XXXX (Accessory 1)

Beam Type	symmetric, medium beam [M]
------------------	----------------------------

Light Source	LED-FT-37W (4000K)
---------------------	--------------------

CRI	80
------------	----

Gear Type	electronic gear
------------------	-----------------

Nominal Luminous Flux (lm)

LED Lumens	6140 lm
------------	---------

LEDs	1
------	---

Total Lumens	6140 lm
--------------	---------

Tj	25 °C
----	-------

Delivered Lumens Flux (lm)

LED Lumens	3301.6 lm
------------	-----------

Total Lumens	3301.6 lm
--------------	-----------

Ta	25 °C
----	-------

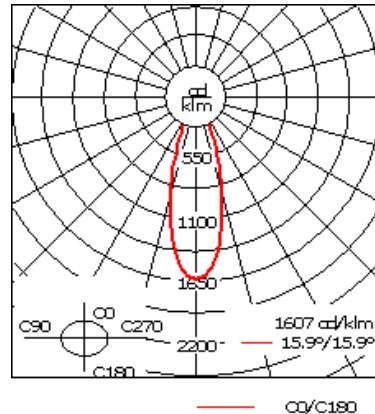
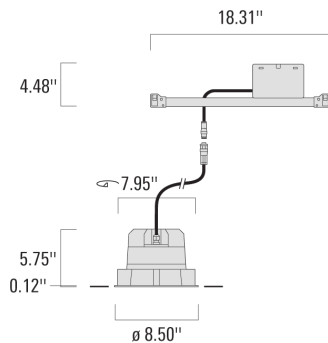
Rated Input Power	42 W
--------------------------	------

DOC140-FT LED [New Construction]

134-6459 (previous product code: 630-4641 for reference only!)

we-ef

2/4



Material Specification

Body:	Marine-grade, die-cast aluminium alloy								
Weight (lbs):	6.17								
Lens:	Safety glass lens								
Colours:	<table><tr><td></td><td>RAL9004 Black</td></tr><tr><td></td><td>RAL9007 Grey Metallic</td></tr><tr><td></td><td>RAL9016 White</td></tr><tr><td></td><td>RAL8019 Dark Bronze</td></tr></table>		RAL9004 Black		RAL9007 Grey Metallic		RAL9016 White		RAL8019 Dark Bronze
	RAL9004 Black								
	RAL9007 Grey Metallic								
	RAL9016 White								
	RAL8019 Dark Bronze								
	ETL, UL-1598 equivalent, CSA-C22.2#250.0. Suitable for Wet Locations.								
Gasket:	Silicone CCG® Controlled Compression Gasket								
Fasteners:	PCS Polymer Coated Stainless Steel Hardware								
Ingress protection:	IP66								
Impact protection:	IK07								
Corrosion protection:	5CE								
Listings:	Contact WE-EF USA for ETL/UL certification status.								

Electrical Specification

Power supply:	Integral [ECG] electronic driver 120V-277V. 0-10V dimmable, to be specified with order.
Power factor:	> 0.9
Driver / Ballast:	Integral EC electronic converter in thermally-separated compartment
Cable:	Two cable entries

Lifetime

Ta=25°/40° L90B10 > 90000h

DOC140-FT LED [New Construction]

134-6459 (previous product code: 630-4641 for reference only!)

3/4



Optical Accessories

Softening Lens

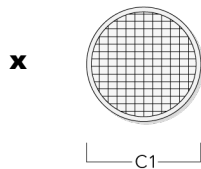
Softens light distribution in all planes. Reduces light intensity and improves visual comfort. Will slightly widen the native light distribution. Does not fit in combination with [W] lens. Internal component, factory installed.

x ■ IO-360-DOC140-LED

C1

134-1762

6.29



Linear spread lens

Broadens light distribution in one plane only. Ideally suitable for [M] [EE] [EES]. Does not fit in combination with [B] lens. Internal component, factory installed.

DOC140-FT LED [New Construction]

134-6459 (previous product code: 630-4641 for reference only!)

we-ef

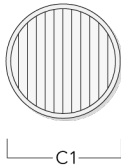
4/4

■ IO-180-DOC140-LED

C1

134-1760

6.29



Wallwash lens

Specifically developed for the lighting of architectural surfaces, in combination with WE-EF [M] symmetric medium beam LED optics. Luminaires fitted with the IO-20 wallwash lens are typically positioned at $0.125 \times h$ away from the target surface and spaced up to $1.75 \times d$ apart: h = height of wall/target surface $d = 0.125 \times h$ = distance from the wall/target surface $s = 1.75 \times d$ = spacing between luminaires The IO-20 LED wallwash lens is factory-installed within the luminaire. The factory-sealed qualities and advantages of the luminaire are fully maintained. Not separately available. A maximum of one internal optical accessory.

■ IO-20-WW-DOC140-LED

C1

134-1761

160

