

DOC110 LED [New Construction]

134-6105 (previous product code: 630-3935 for reference only!)

we-ef

1/4



Description

DOC110 LED for new construction. For remodel projects, see DOC110 LED [For Remodel] version. IP66, Class I, IK07. Marine-grade, die-cast aluminum alloy. 5CE superior corrosion protection including PCS hardware. Silicone CCG® Controlled Compression Gasket. Safety glass lens. Separate IP66 driver housing. CAD-optimized optics for superior illumination and glare control. OLC® One LED Concept. Factory installed LED circuit board. 0-10V Dimming comes standard with luminaire. A pre-installation blockout, proud or flush, is available and recommended for mounting in concrete ceilings; to be ordered separately. Specify product with 7 Digit product code – Finish Color. Accessories, such as mounting, optical, and electrical, must be specified separately. Example: XXX-XXXX – 9004 (Black) + XXX-XXXX (Accessory 1)

Beam Type	symmetric, very narrow beam [VN]
------------------	----------------------------------

Light Source	LED-6/12W / 700 mA - 4000 K
---------------------	-----------------------------

CRI	80
------------	----

Gear Type	electronic gear
------------------	-----------------

Nominal Luminous Flux (lm)

LED Lumens	246 lm
------------	--------

LEDs	6
------	---

Total Lumens	1476 lm
--------------	---------

Tj	85 °C
----	-------

Delivered Lumens Flux (lm)

LED Lumens	211.6 lm
------------	----------

Total Lumens	1269.5 lm
--------------	-----------

Ta	25 °C
----	-------

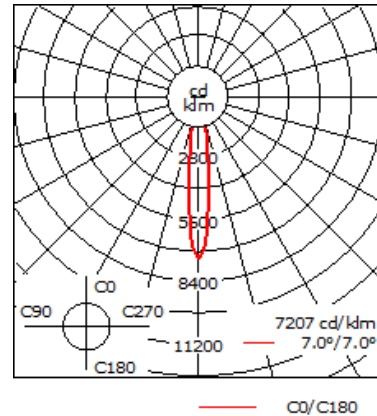
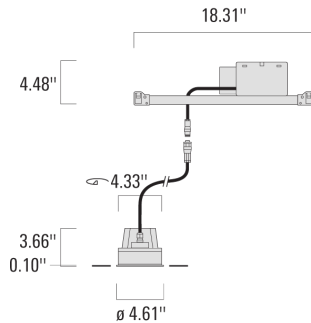
Rated Input Power	15 W
--------------------------	------

DOC110 LED [New Construction]


134-6105 (previous product code: 630-3935 for reference only!)

we-ef

2/4



Material Specification

Body:	Marine-grade, die-cast aluminium alloy								
Weight (lbs):	2.86								
Lens:	Safety glass lens								
Colours:	<table><tr><td>■</td><td>RAL9004 Black</td></tr><tr><td>■</td><td>RAL9007 Grey Metallic</td></tr><tr><td>■</td><td>RAL9016 White</td></tr><tr><td>■</td><td>RAL8019 Dark Bronze</td></tr></table>	■	RAL9004 Black	■	RAL9007 Grey Metallic	■	RAL9016 White	■	RAL8019 Dark Bronze
■	RAL9004 Black								
■	RAL9007 Grey Metallic								
■	RAL9016 White								
■	RAL8019 Dark Bronze								
 ETL	ETL, UL-1598 equivalent, CSA-C22.2#250.0. Suitable for Wet Locations.								
Gasket:	Silicone CCG® Controlled Compression Gasket								
Fasteners:	PCS Polymer Coated Stainless Steel Hardware								
Ingress protection:	IP66								
Impact protection:	IK07								
Corrosion protection:	5CE								
Listings:	ETL, UL-1598, CSA-C22.2#250.0. Suitable for Wet Locations.								

Electrical Specification

Power supply:	Integral 120-277V/0-10V dimming driver
Cable:	Two cable entries

DOC110 LED [New Construction]

134-6105 (previous product code: 630-3935 for reference only!)

we-ef

3/4

Lifetime

Ta=25°/40° L90B10 > 90000h

Optical Accessories

Linear spread lens

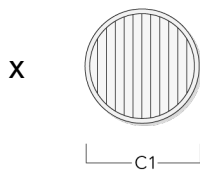
Broadens light distribution in one plane only. Ideally suitable for [M] [EE] [EES]. Does not fit in combination with [B] lens. Internal component, factory installed.

■ IO-180-DOC110-LED

C1

X **134-1637**

3.86



Wallwash lens

Specifically developed for the lighting of architectural surfaces, in combination with WE-EF [M] symmetric medium beam LED optics. Luminaires fitted with the IO-20 wallwash lens are typically positioned at $0.125 \times h$ away from the target surface and spaced up to $1.75 \times d$ apart: h = height of wall/target surface $d = 0.125 \times h$ = distance from the wall/target surface $s = 1.75 \times d$ = spacing between luminaires The IO-20 LED wallwash lens is factory-installed within the luminaire. The factory-sealed qualities and advantages of the luminaire are fully maintained. Not separately available.

DOC110 LED [New Construction]

134-6105 (previous product code: 630-3935 for reference only!)



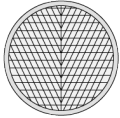
4/4

■ IO-20-DOC110-LED

C1

134-1683

3.86



C1