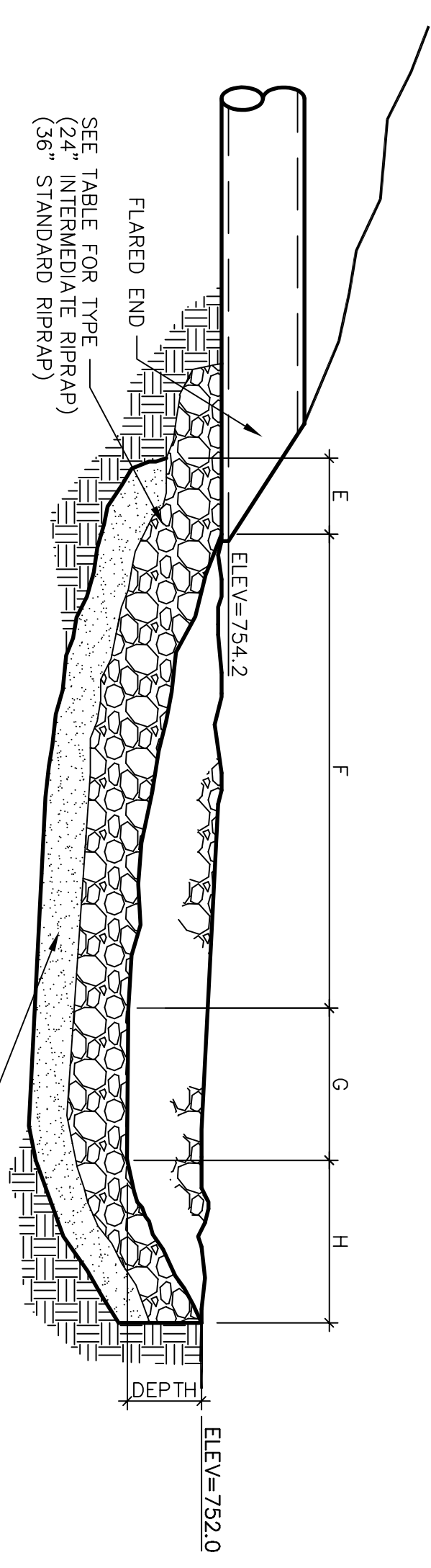


PLAN

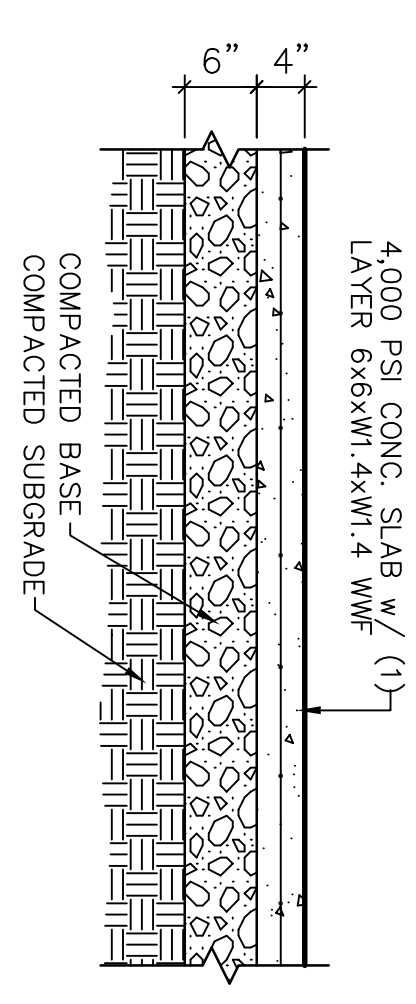
PIPE SIZE	A	B	C	D	E	F	G	H	RIPRAP TYPE	DEPTH
≤15"	26'	12'	4'	2'	1'	18"	4"	4"	INTERMEDIATE	2'-0"

RIPRAP PLUNGE POOL DETAIL

N.T.S.

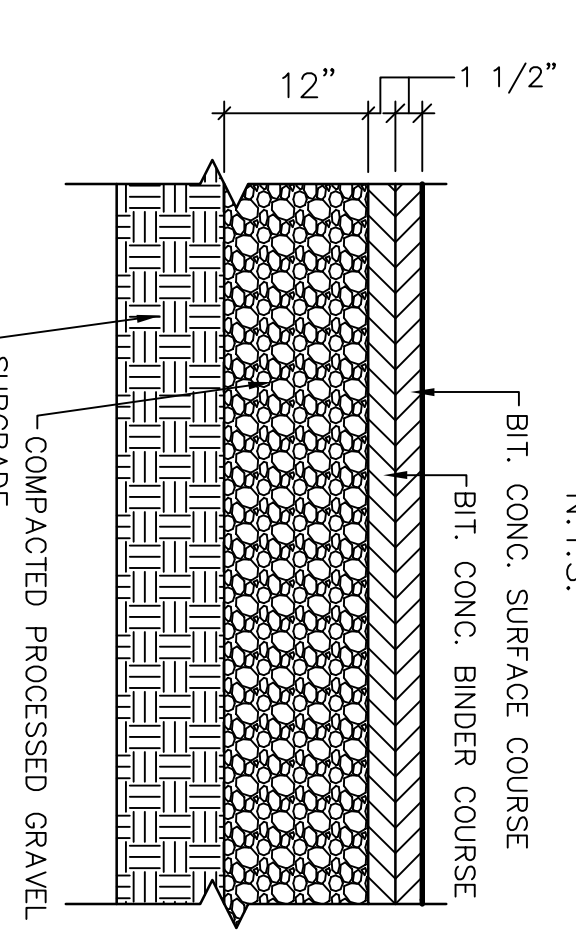


SECTION AA



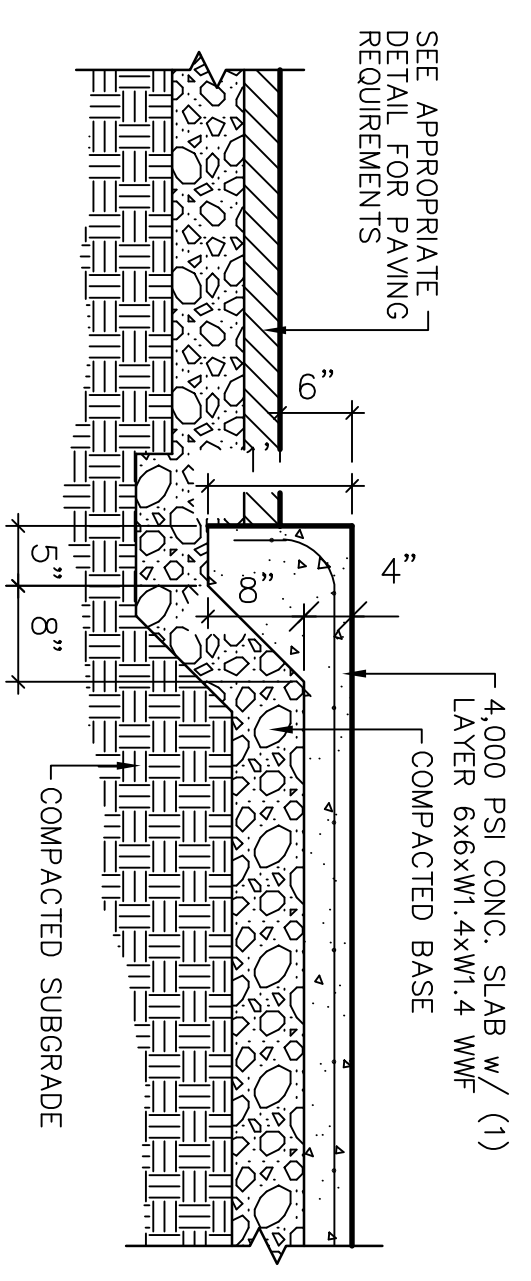
CONCRETE WALK PAVEMENT

N.T.S.



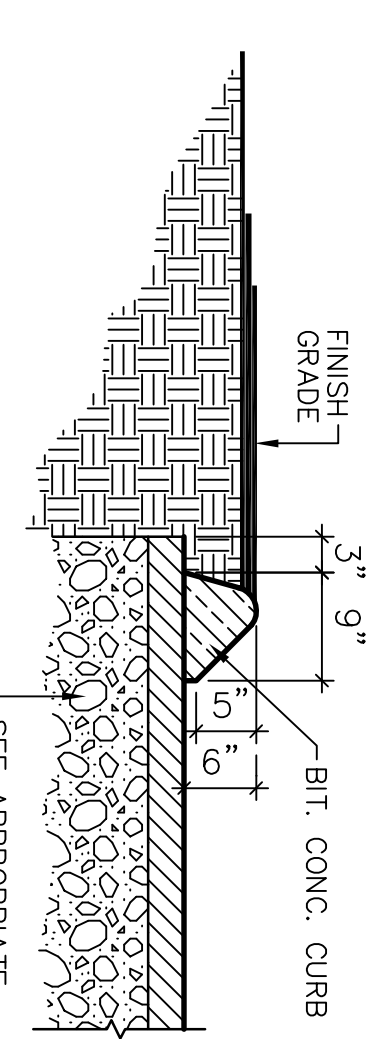
BITUMINOUS CONCRETE PAVEMENT

N.T.S.



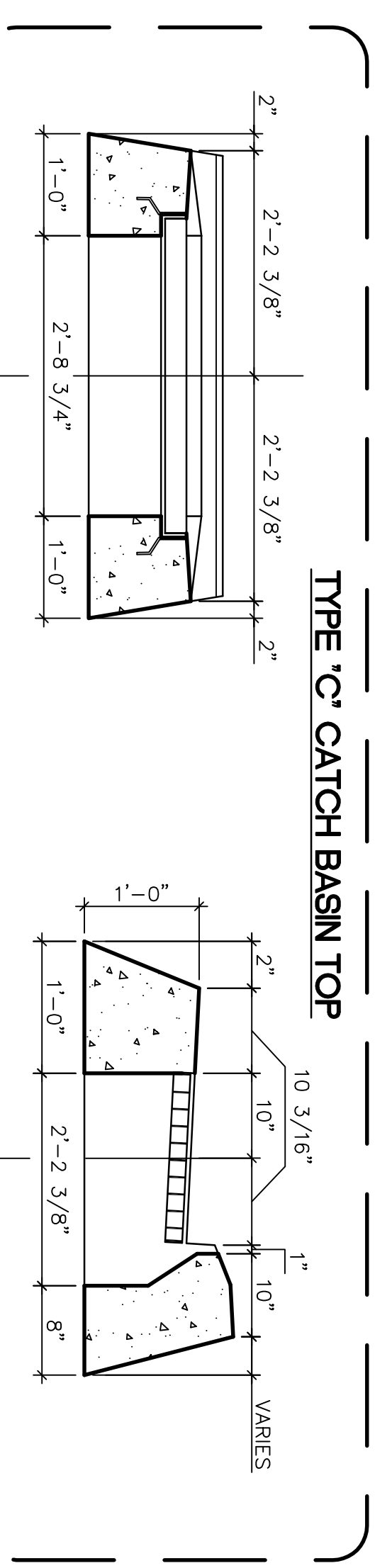
MONOLITHIC CONCRETE CURB

N.T.S.



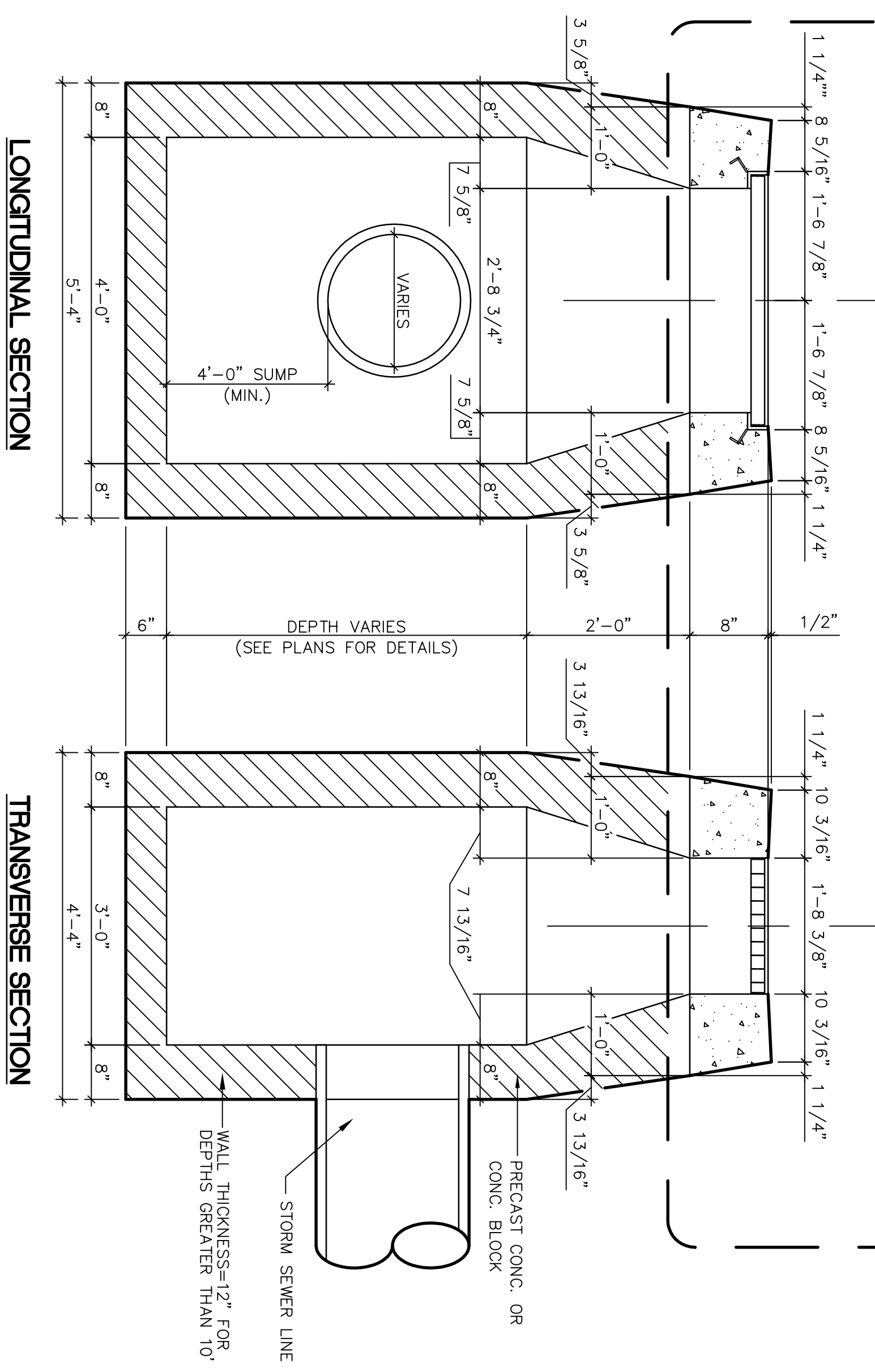
BITUMINOUS CONCRETE CURB

N.T.S.



TYPE 'C' CATCH BASIN TOP

TYPE 'C-L' CATCH BASIN TOP



LONGITUDINAL SECTION

TRANSVERSE SECTION

STATE OF CONN. CATCH BASIN

N.T.S.

PROJECT **Nickerson**  
GENERAL CONTRACTORS  
49 HAYDEN HILL ROAD, TORRINGTON, CT 06790

DRAWN BY G.R.W. APPROVED BY J.H.P.

DATE 02-20-20 SCALE NTS

2155 EAST MAIN STREET, TORRINGTON, CT 06790  
860-482-7613 / WEB: WWW.BORGHESIBUILDING.COM

SHEET NO. **SPD2**

REVISIONS  
03-13-20 REV. RIPRAP PLUNGE POOL DETAIL

SEAL

**Borghesi**  
Building & Engineering Co., Inc.

©BORGHESI BUILDING & ENGINEERING CO., INC.  
 CONCEPT, ALL RIGHTS RESERVED. NO PART OF  
 THIS DRAWING OR ANY INFORMATION CONTAINED  
 HEREIN IS TO BE REPRODUCED OR TRANSMITTED  
 IN ANY FORM OR BY ANY MEANS, WITHOUT THE  
 EXPRESS WRITTEN PERMISSION OF BORGHESI  
 BUILDING & ENGINEERING CO., INC.  
 \\\Heldent\p\Drawings\MSO\Nickerson Office-2020\Nickerson Office SPD.dwg 3/13/2020 4:04:12 PM EDT