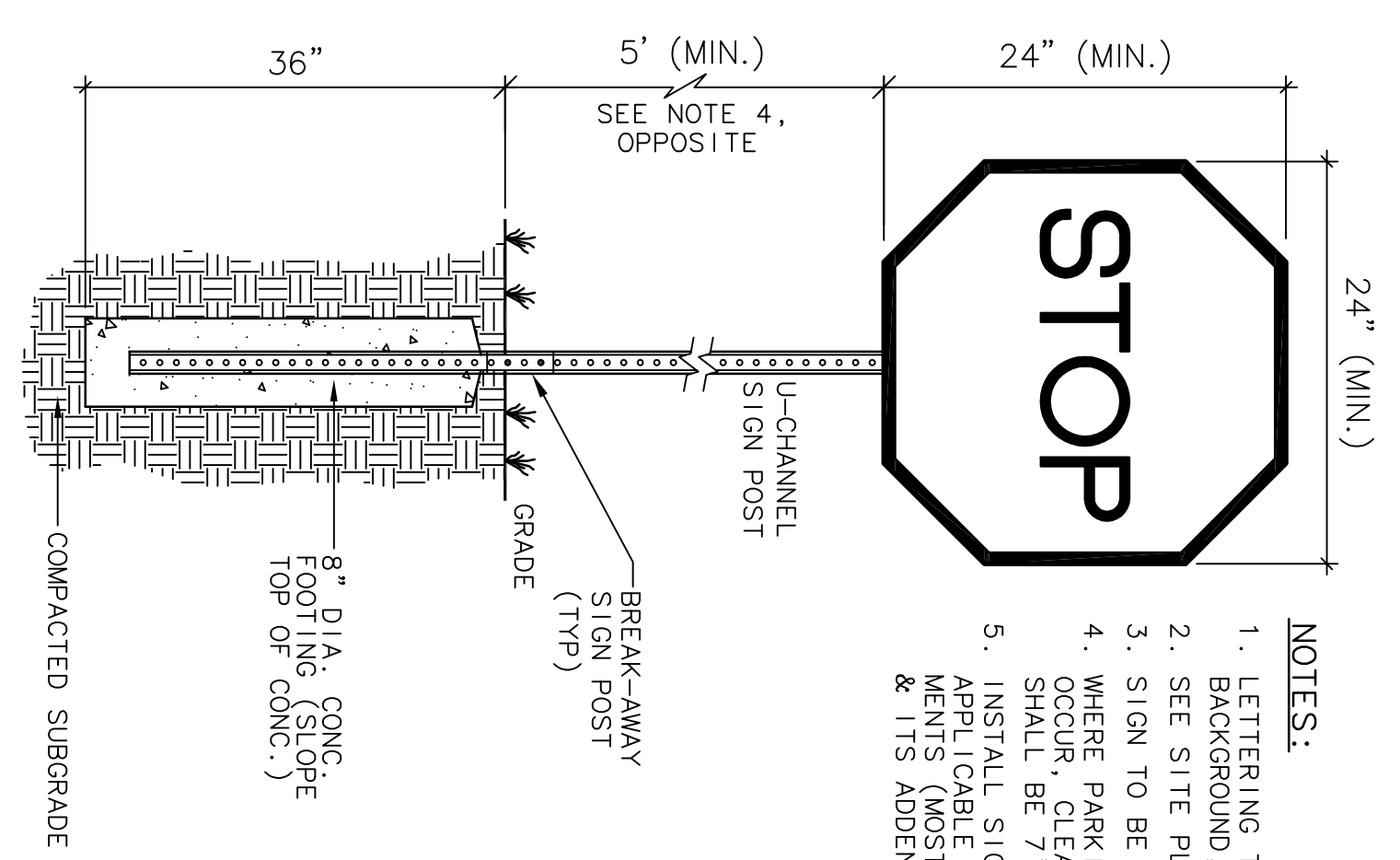
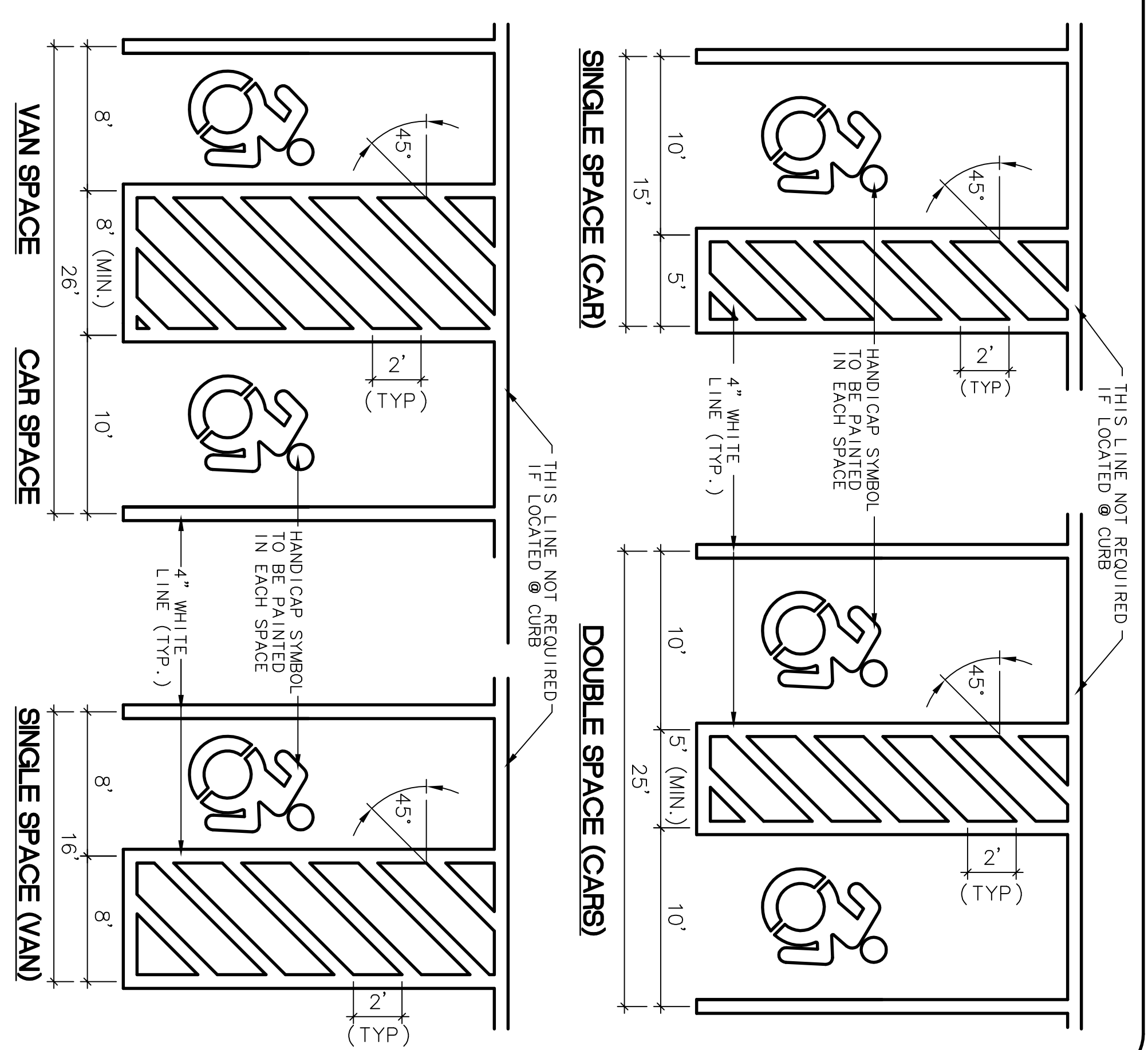


\*CRUSHED STONE SHALL ONLY BE USED IN HIGH GROUNDWATER CONDITIONS AS DIRECTED BY THE ENGINEER  
**TYP. TRENCH DETAIL (UTILITIES)**  
 N.T.S.

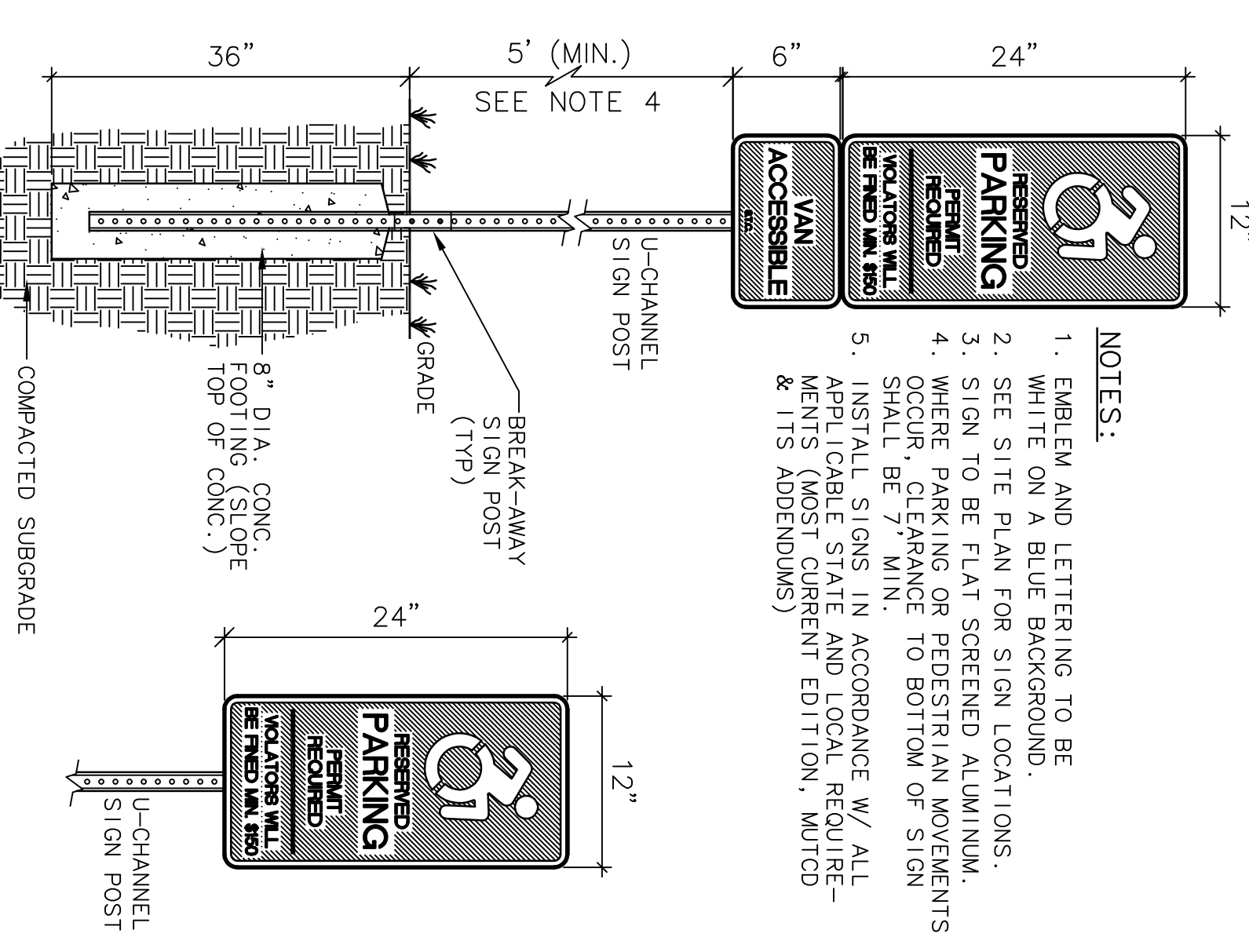


- NOTES:**
1. LETTERING TO BE WHITE ON A RED BACKGROUND, BORDERED BY WHITE.
  2. SEE SITE PLAN FOR SIGN LOCATIONS.
  3. SIGN TO BE REFLECTIVE ALUMINUM.
  4. WHERE PARKING OR PEDESTRIAN MOVEMENTS OCCUR, CLEARANCE TO BOTTOM OF SIGN SHALL BE 7' MIN.
  5. INSTALL SIGNS IN ACCORDANCE W/ ALL APPLICABLE STATE AND LOCAL REQUIREMENTS (MOST CURRENT EDITION, MUTCD & ITS ADDENDUMS)

**HANDICAP ACCESSIBLE PARKING STALLS**  
 N.T.S.



- NOTES:**
1. HATCHED ACCESS AISLES FOR HANDICAP SPACES MAY BE SHARED.
  2. HATCHED ACCESS AISLES MAY BE ON EITHER SIDE OF THE VAN OR CAR SPACES. HOWEVER, ANGLED VAN SPACES SHALL HAVE THE ACCESS AISLE ON THE PASSENGER SIDE OF THE PARKING SPACE.



- NOTES:**
1. EMBLEM AND LETTERING TO BE WHITE ON A BLUE BACKGROUND.
  2. SEE SITE PLAN FOR SIGN LOCATIONS.
  3. SIGN TO BE FLAT REFLECTED ALUMINUM.
  4. WHERE PARKING OR PEDESTRIAN MOVEMENTS OCCUR, CLEARANCE TO BOTTOM OF SIGN SHALL BE 7' MIN.
  5. INSTALL SIGNS IN ACCORDANCE W/ ALL APPLICABLE STATE AND LOCAL REQUIREMENTS (MOST CURRENT EDITION, MUTCD & ITS ADDENDUMS)

**PROJECT**  
**NORTHWEST HILLS**  
**CHRYSLER-RAM-DODGE-JEEP**  
 2033 EAST MAIN STREET (US RT 202) TORRINGTON, CT

**DRAWN BY** D.A.N. **APPROVED BY** J.H.P.  
**DATE** 3/07/23 **SCALE** NTS

2155 EAST MAIN STREET, TORRINGTON, CT 06790  
 860-482-7613/WEB: WWW.BORGHESIBUILDING.COM

**SHEET NO.**  
**SPD2**

**REVISIONS**

**SEAL**

**Borghesi**  
 Building & Engineering Co., Inc.