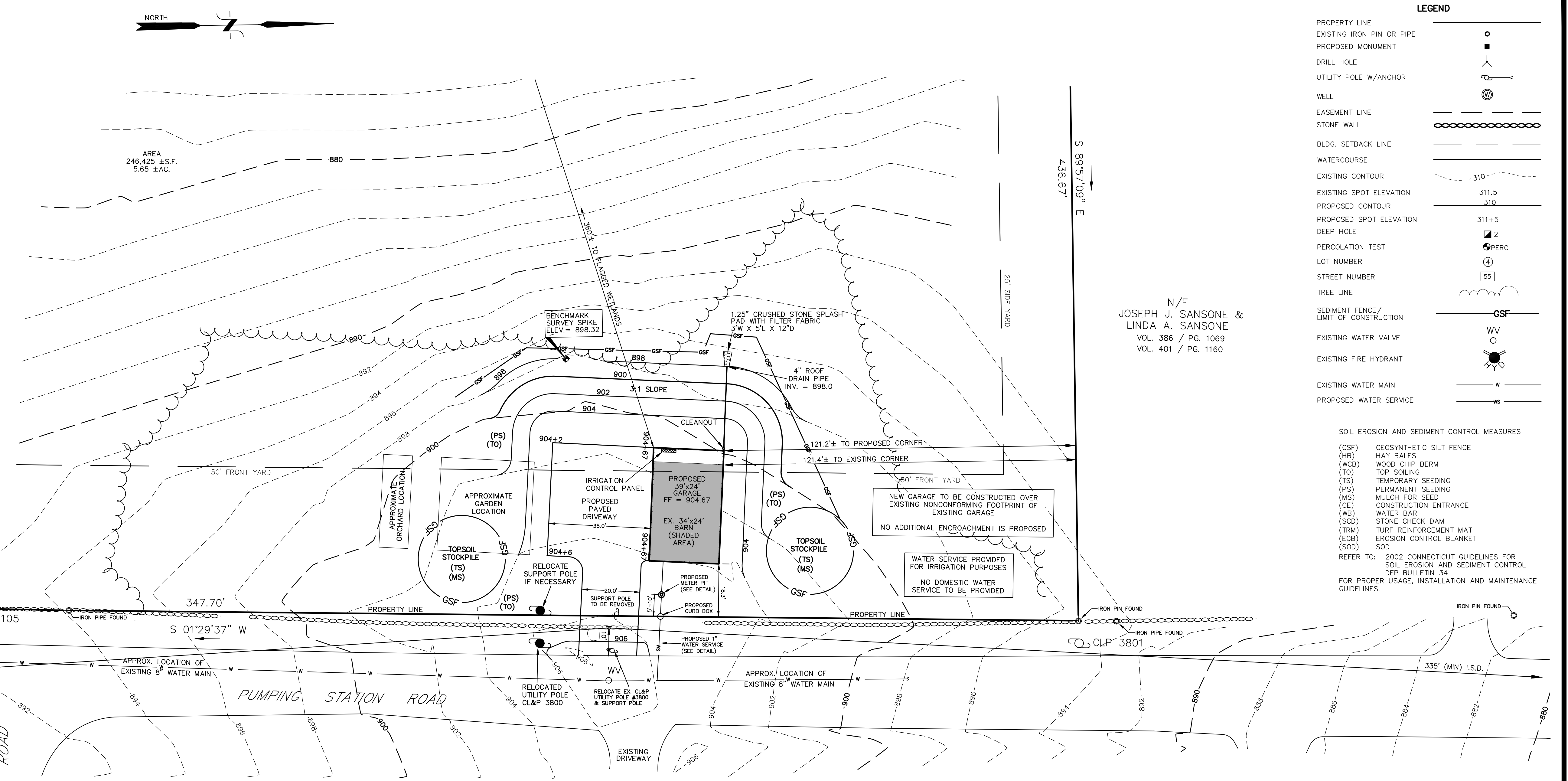


**NOTES:**  
 1. PERMANENT PAVEMENT REPAIR SHALL BE COMPLETED BETWEEN 6 AND 12 MONTHS AFTER TEMPORARY PAVEMENT REPAIR IS INSTALLED.  
 2. SHORING REQUIRED PER OSHA STANDARDS.  
 3. IF EDGE OF TRENCH IS WITHIN TWO (2) FEET OF CURBED GUTTER LINE OR UNPAVED SHOULDER, THEN REMOVE AND REPLACE PAVEMENT.

**PAVEMENT REPAIR FOR TRENCH CUTS**  
 N.T.S.

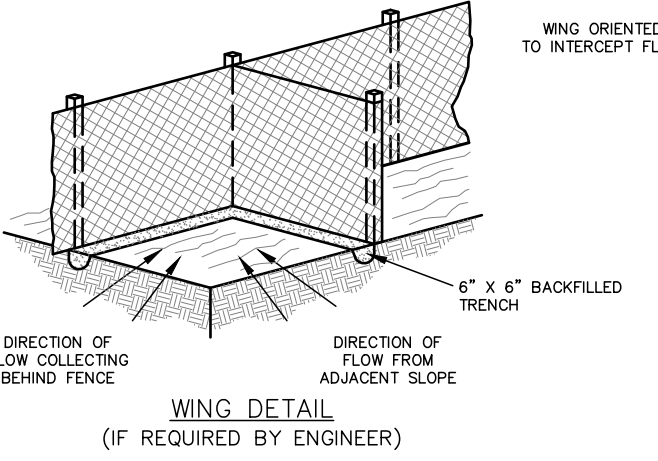
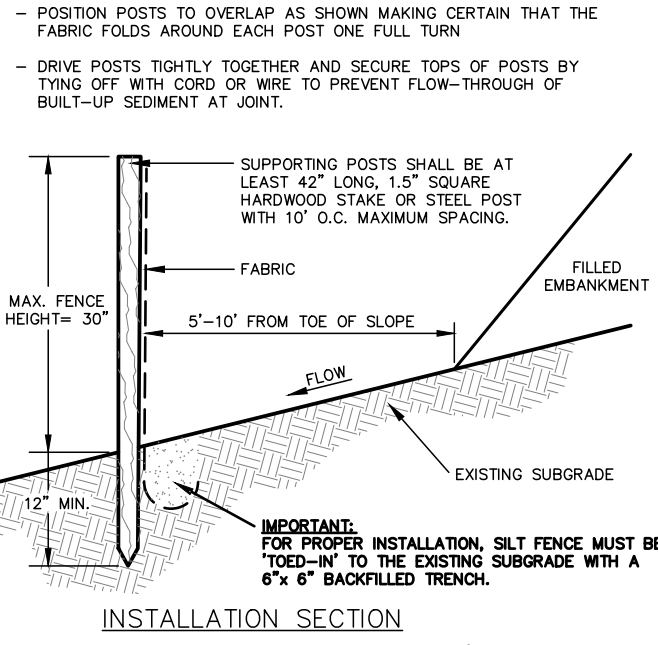
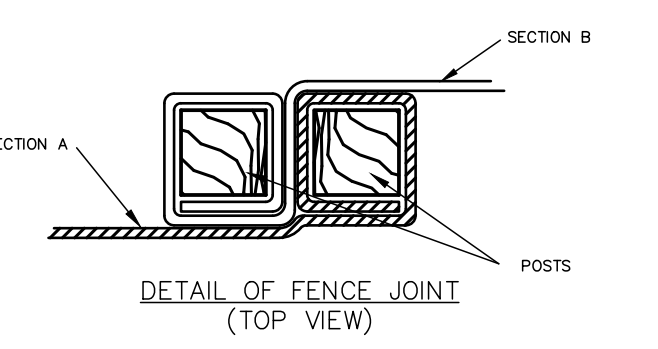


**LEGEND**

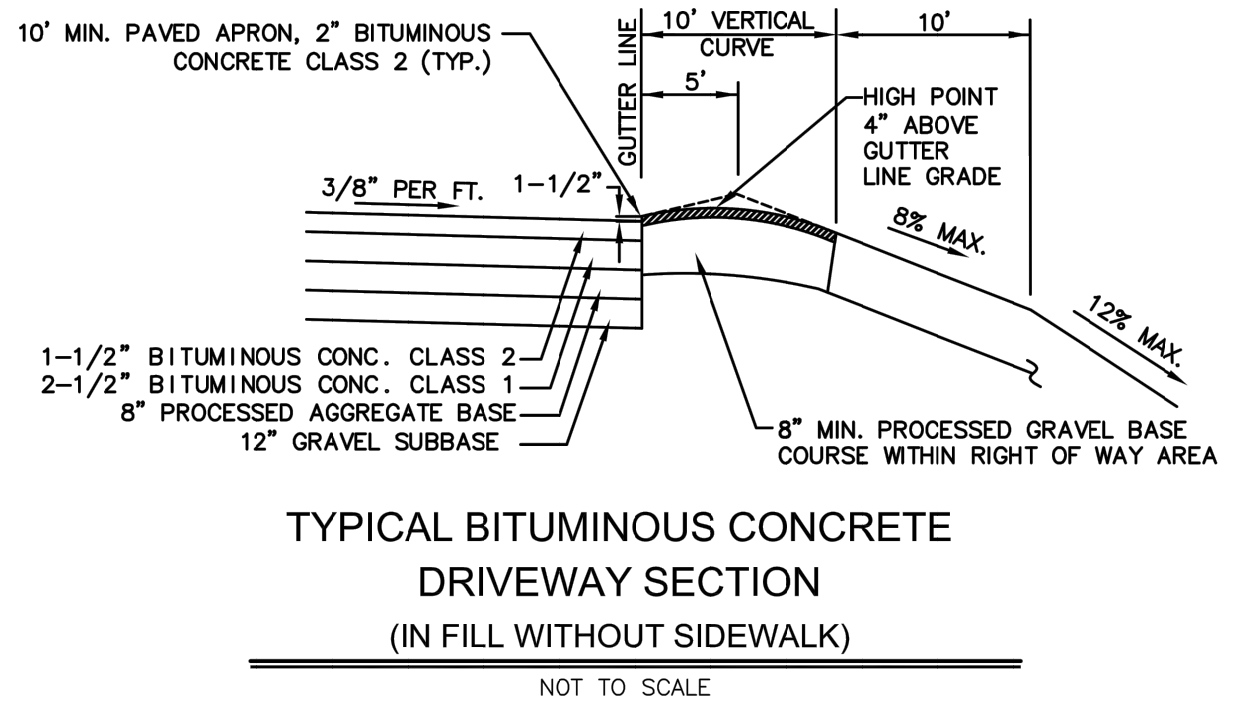
PROPERTY LINE	○
EXISTING IRON PIN OR PIPE	●
PROPOSED MONUMENT	■
DRILL HOLE	⊙
UTILITY POLE W/ANCHOR	⊕
WELL	⊕
EASEMENT LINE	---
STONE WALL	—●—●—●—
BLDG. SETBACK LINE	---
WATERCOURSE	—●—●—●—
EXISTING CONTOUR	---310---
EXISTING SPOT ELEVATION	311.5
PROPOSED CONTOUR	310
PROPOSED SPOT ELEVATION	311+5
DEEP HOLE	⊕ 2
PERCOLATION TEST	⊕ PERC
LOT NUMBER	④
STREET NUMBER	55
TREE LINE	—●—●—●—
SEDIMENT FENCE/ LIMIT OF CONSTRUCTION	—GSF—
EXISTING WATER VALVE	⊕
EXISTING FIRE HYDRANT	⊕
EXISTING WATER MAIN	—W—
PROPOSED WATER SERVICE	—WS—

SOIL EROSION AND SEDIMENT CONTROL MEASURES  
 (GSF) GEOSYNTHETIC SILT FENCE  
 (HB) HAY BALES  
 (WCB) WOOD CHIP BERM  
 (TO) TOP SOILING  
 (TS) TEMPORARY SEEDING  
 (PS) PERMANENT SEEDING  
 (MS) MULCH FOR SEED  
 (CE) CONSTRUCTION ENTRANCE  
 (WB) WATER BAR  
 (SCD) STONE CHECK DAM  
 (TRM) TURF REINFORCEMENT MAT  
 (ECB) EROSION CONTROL BLANKET  
 (SOD) SOD

REFER TO: 2002 CONNECTICUT GUIDELINES FOR SOIL EROSION AND SEDIMENT CONTROL DEP BULLETIN 34 FOR PROPER USAGE, INSTALLATION AND MAINTENANCE GUIDELINES.

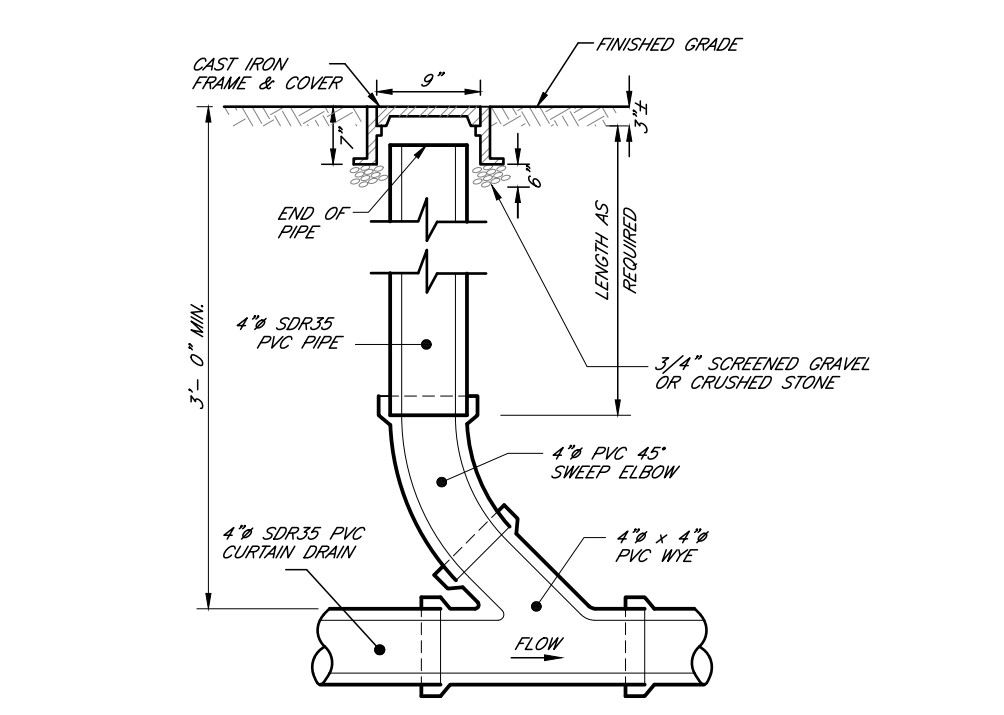


**GEOSYNTHETIC SILT FENCE DETAIL**  
 (IF REQUIRED BY ENGINEER)

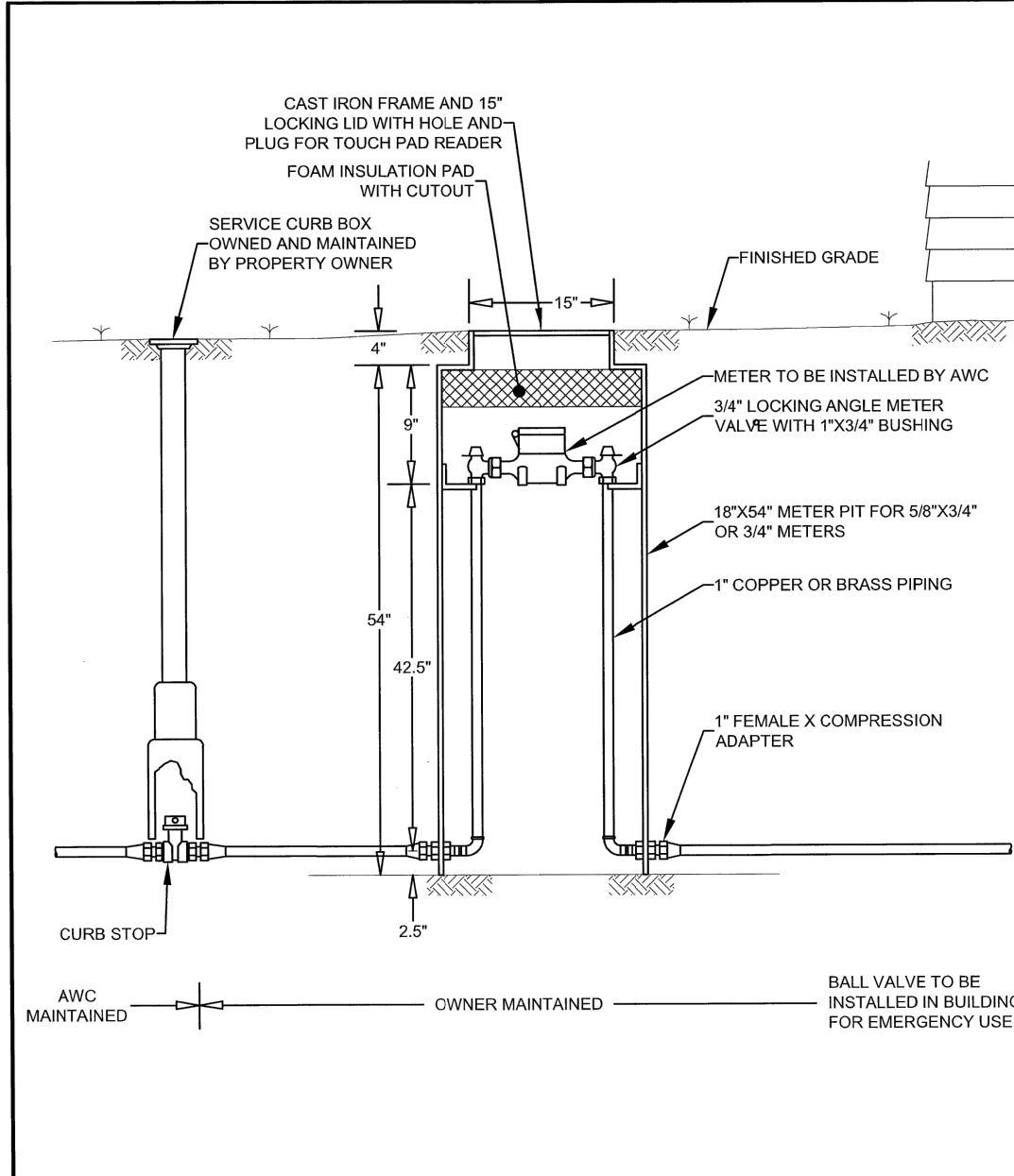


**TYPICAL BITUMINOUS CONCRETE DRIVEWAY SECTION (IN FILL WITHOUT SIDEWALK)**  
 NOT TO SCALE

**NOTE:** DRAINAGE IMPROVEMENTS INCLUDING THE ADDITION OF SWALES, CATCH BASINS, PIPE CULVERTS, RIP RAP AND UNDERDRAINS MAY BE REQUIRED AS A CONDITION OF DRIVEWAY PENDING CITY REVIEW OF SITE CONDITIONS.  
 ALSO, ROAD SHOULDER MAY NEED TO BE CLEARED OF SIGHT LINE OBSTRUCTIONS INCLUDING EXCAVATING EMBANKMENT WHERE APPLICABLE.

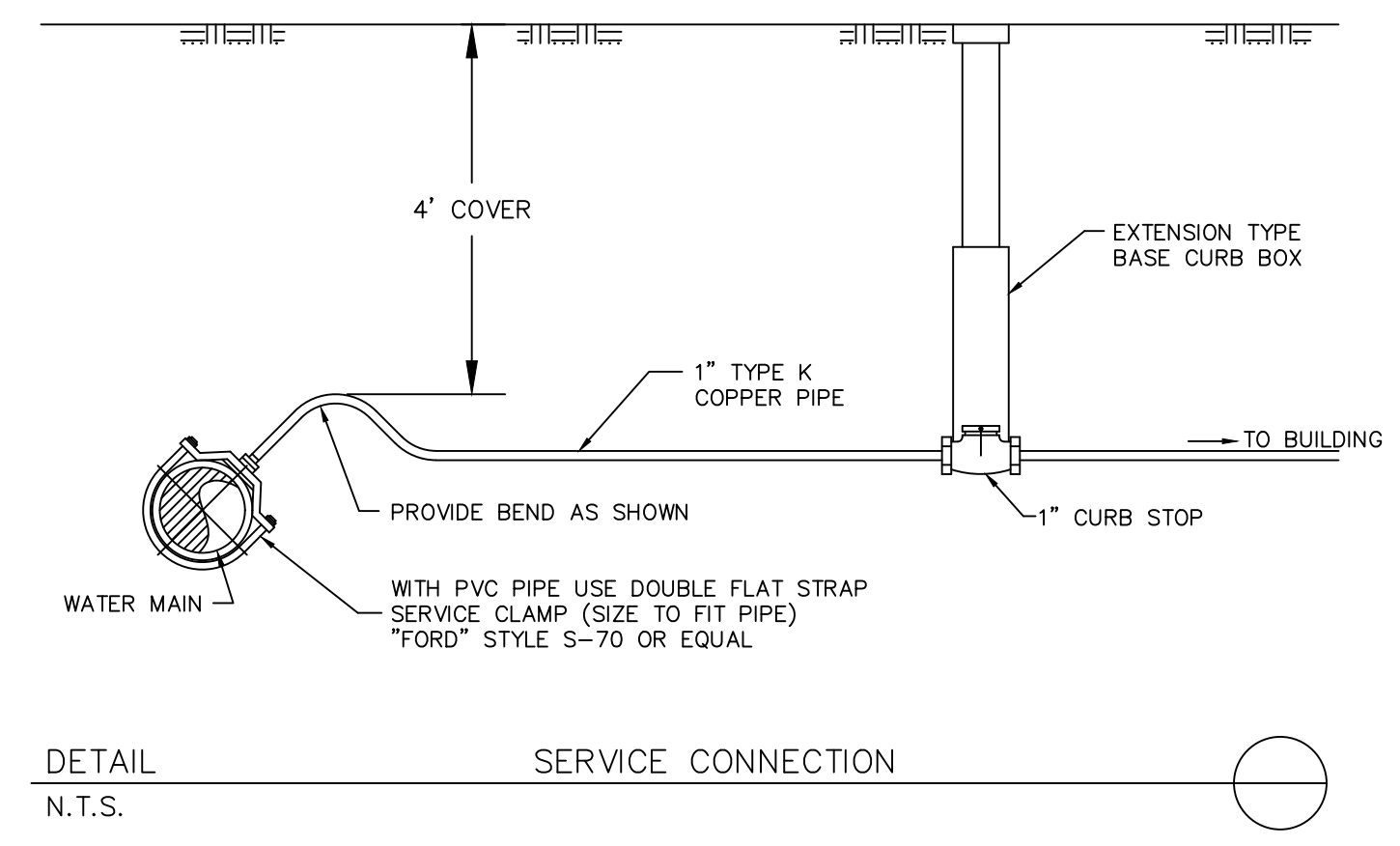


**ROOF / FOOTING DRAIN CLEANOUT DETAIL**  
 N.T.S.



**AQUARIUM Water Company**  
 Stewards of the Environment

**STANDARD METER PIT INSTALLATION FOR 5/8"X3/4" OR 3/4" METER**



05-10-21	CITY ENGINEER COMMENTS
04-08-21	PROPOSED BUILDING DIMENSIONS
DATE	REVISION

**SITE PLAN**

PREPARED FOR  
**MARK MERRIMAN**  
 PUMPING STATION ROAD  
 TORRINGTON, CONNECTICUT

1" = 20' FT.  
 INCHES

**Hrica Associates LLC**  
 Engineers Surveyors

Kenneth S. Hrica, P.E., R.S.  
 44 Maple View Trail  
 P.O. Box 1981  
 Litchfield, Connecticut 06759

860-567-2112 (business)  
 860-567-0491 (toll-free)  
 e-mail: hricassociates@optonline.net

DATE:	03/22/2021	MAP #:	0795
SCALE:	1"=20 ft.	SHEET #:	C1
DRAWING:	210795	DRAWN BY:	TJS
PROJECT #:	21-0795	CHECKED BY:	KSH