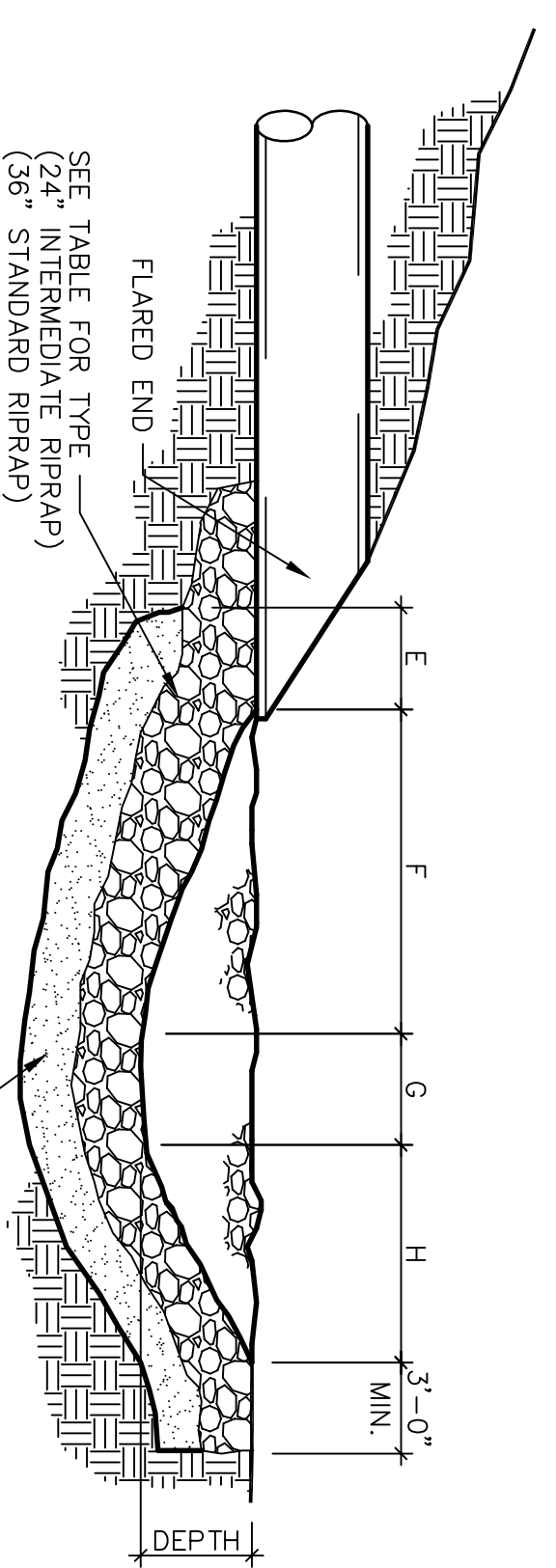


PLAN

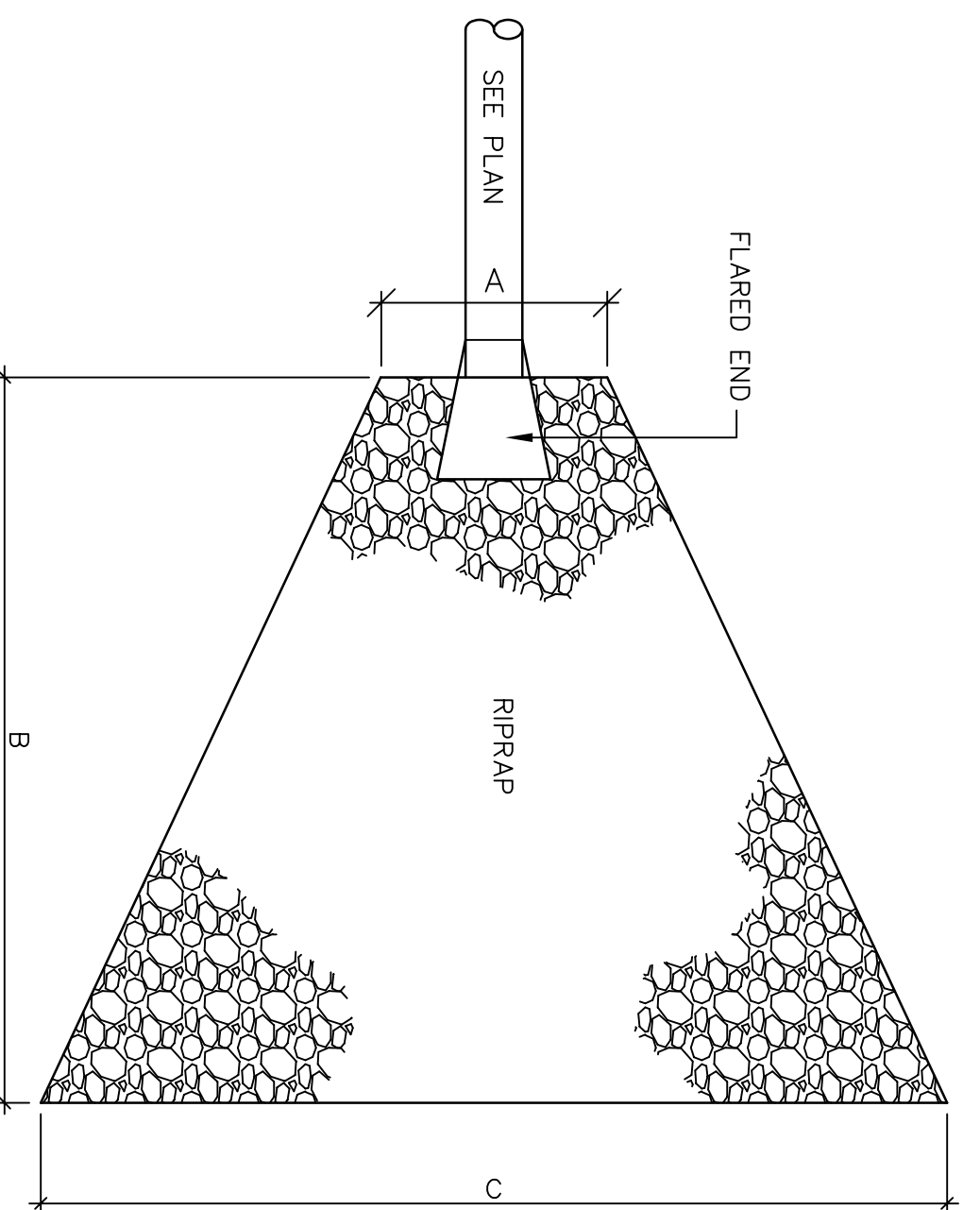
PIPE SIZE	A	B	C	D	E	F	G	H	RIPRAP TYPE	DEPTH
≤15"	20'	7'	4'	2'	1'	12"	4"	4"	INTERMEDIATE	2'-0"

RIPRAP PLUNGE POOL DETAIL

N.T.S.

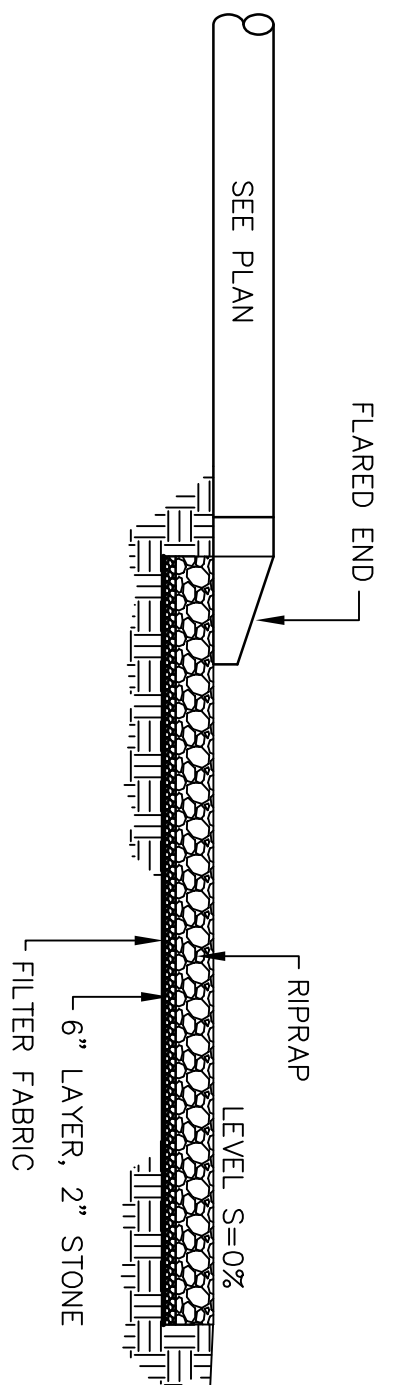


SECTION AA



PLAN

PIPE SIZE	A	B	C	RIPRAP TYPE	DEPTH
18"	5'	26'	24'	INTERMEDIATE	2'-3"

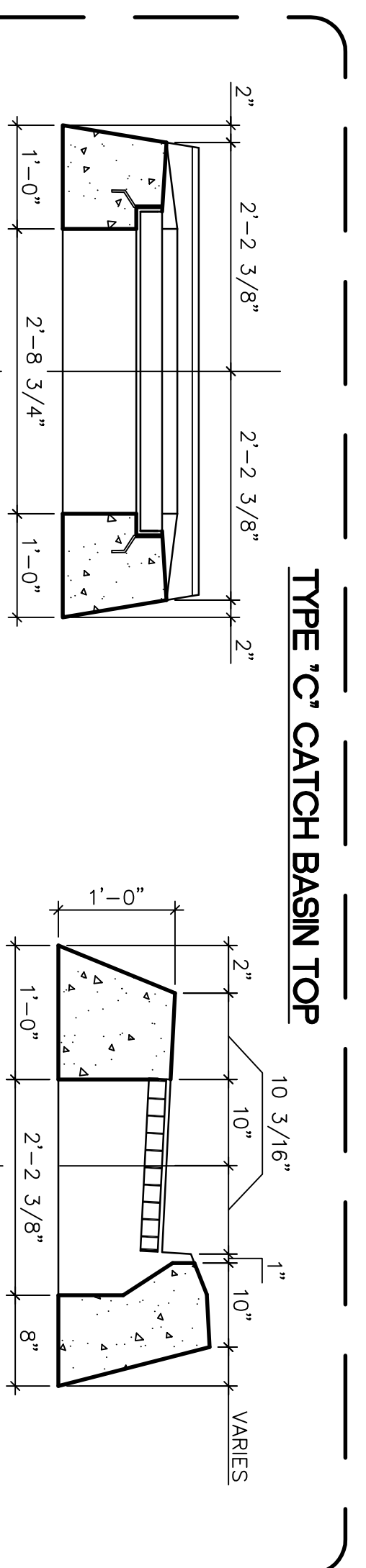


SECTION

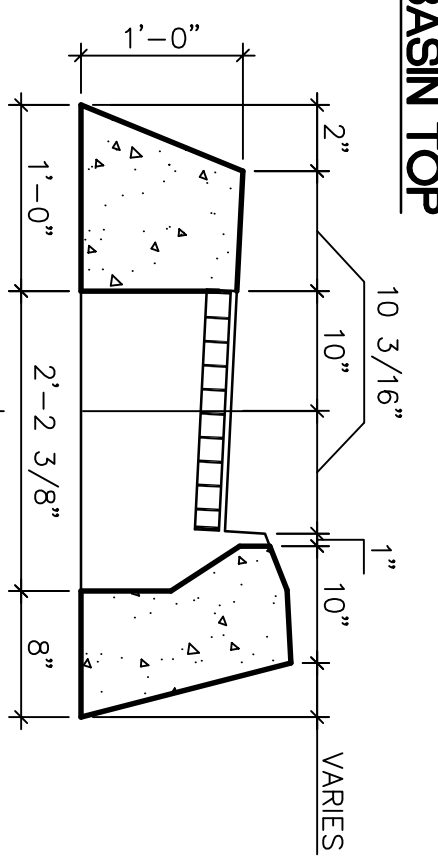
N.T.S.

LEVEL SPREADER DETAIL

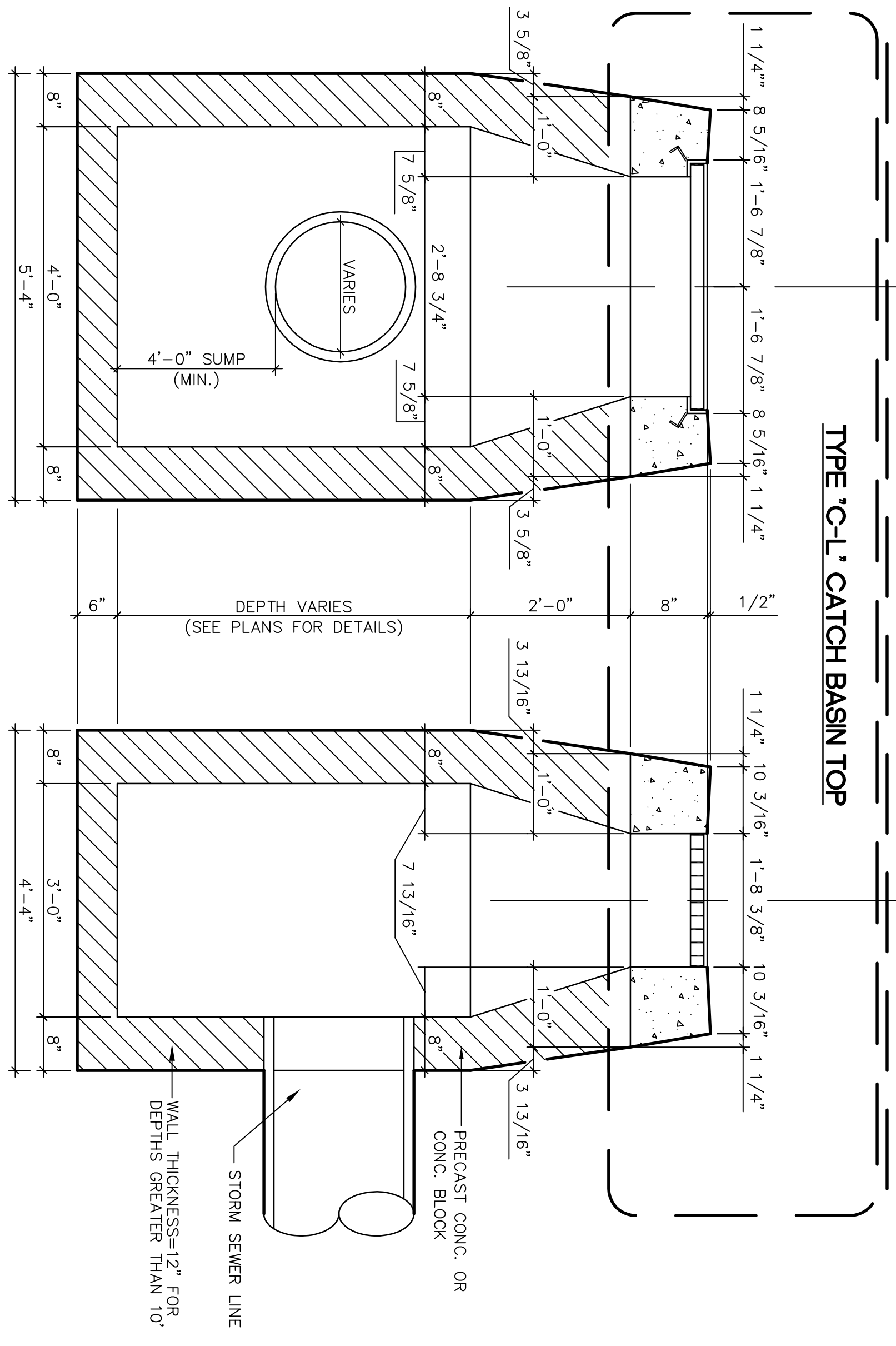
N.T.S.



TYPE 'C' CATCH BASIN TOP



TYPE 'C-L' CATCH BASIN TOP

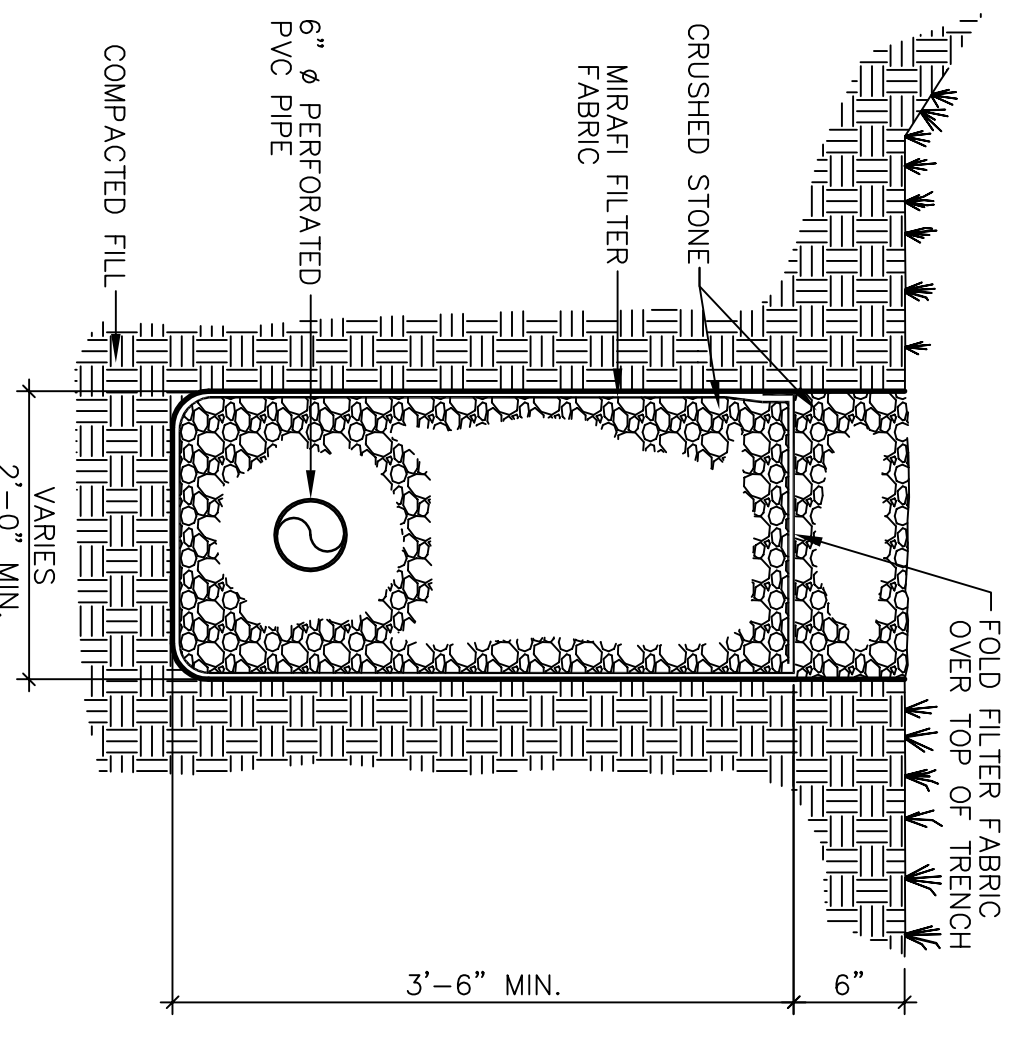


LONGITUDINAL SECTION

TRANSVERSE SECTION

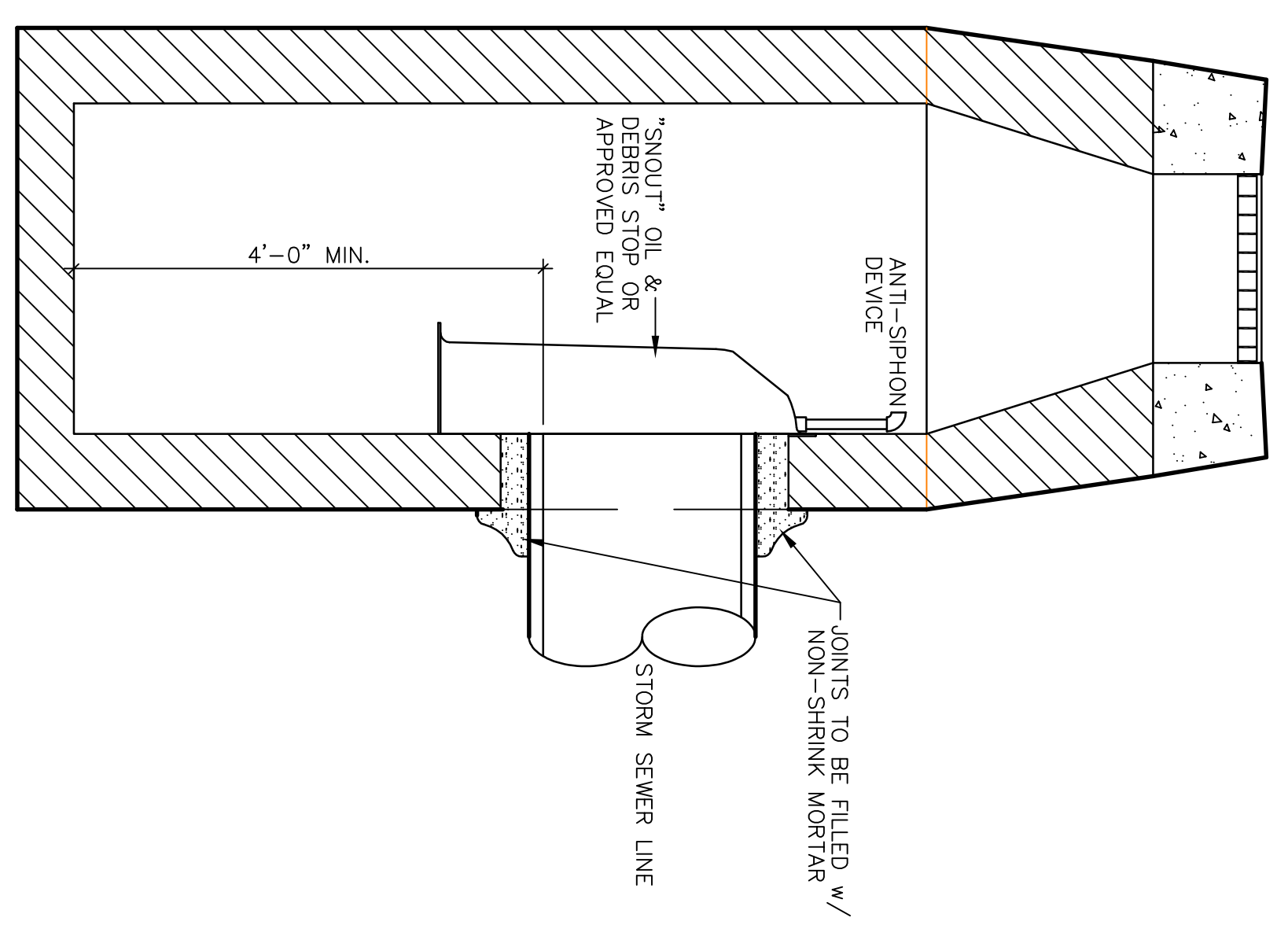
STATE OF CONN. CATCH BASIN

N.T.S.



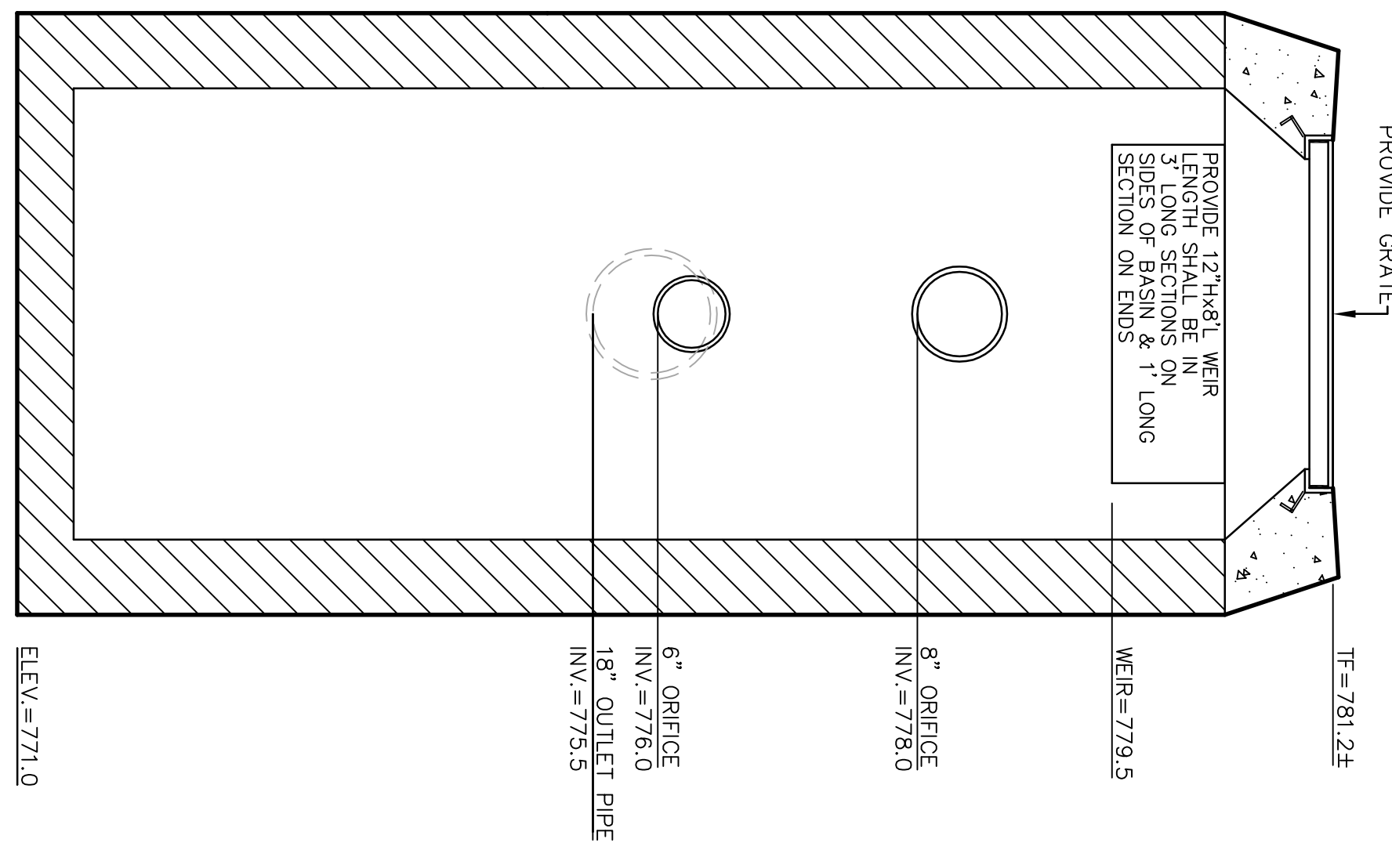
CURTAIN DRAIN DETAIL

N.T.S.



CATCH BASIN WITH TRAP

N.T.S.



OUTLET STRUCTURE

N.T.S.

© BORGHESI BUILDING & ENGINEERING CO., INC.
 THIS WORK IS THE PROPERTY OF BORGHESI BUILDING & ENGINEERING CO., INC. IT IS TO BE USED ONLY FOR THE PROJECT AND SITE SPECIFICALLY IDENTIFIED HEREIN. NO PART OF THIS WORK IS TO BE REPRODUCED OR TRANSMITTED IN ANY FORM OR BY ANY MEANS WITHOUT THE EXPRESS WRITTEN CONSENT OF BORGHESI BUILDING & ENGINEERING CO., INC.
 \\\servername\p\Drawings\MSDC\Torrington Farms Service Center\Torrington Farms SPD.dwg 5/2/2021 12:47:29 PM EDT

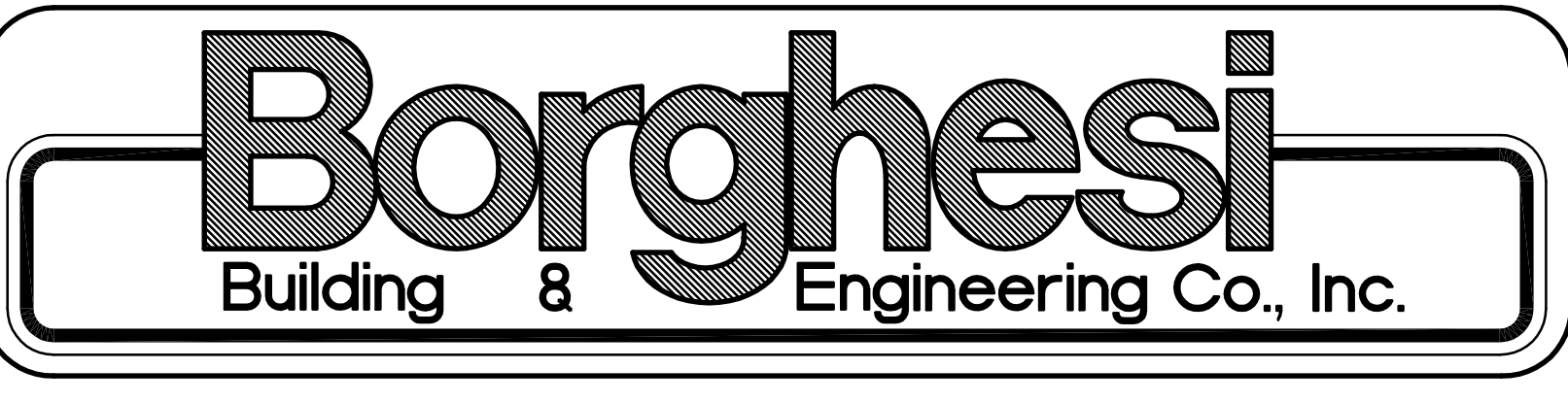
PROJECT
TORRINGTON FARMS SERVICE CENTER
 341 PINWOODS ROAD, TORRINGTON, CT 06790

DRAWN BY G.R.W. **APPROVED BY** A.R.B.
DATE 05-04-21 **SCALE** AS NOTED

2155 EAST MAIN STREET TORRINGTON, CT 06790
 860-482-7613/WEB: WWW.BORGHESIBUILDING.COM

NO.	REVISIONS

SEAL



SHEET NO.
SPD2