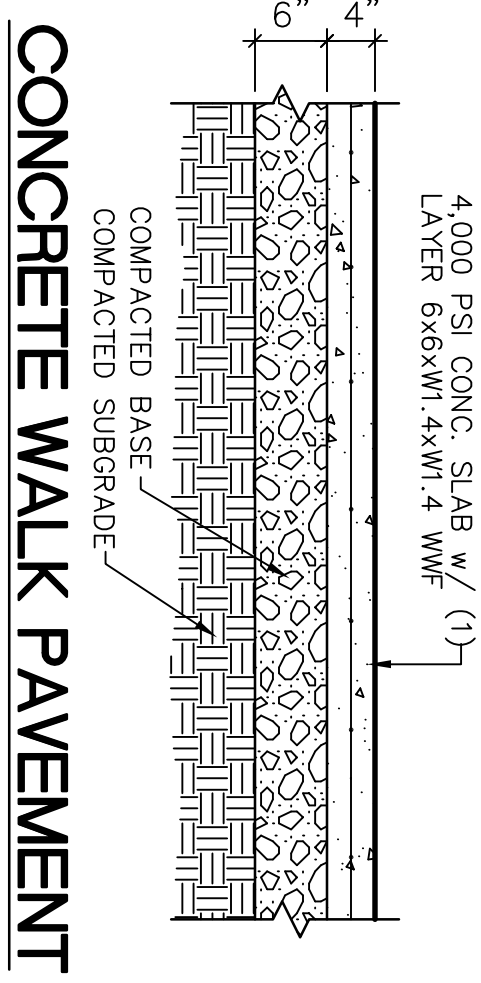
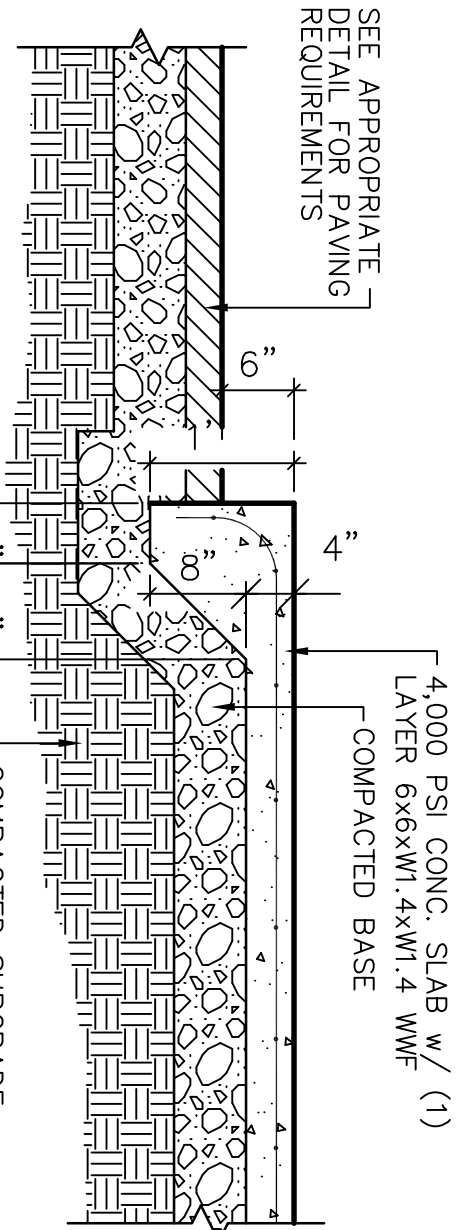


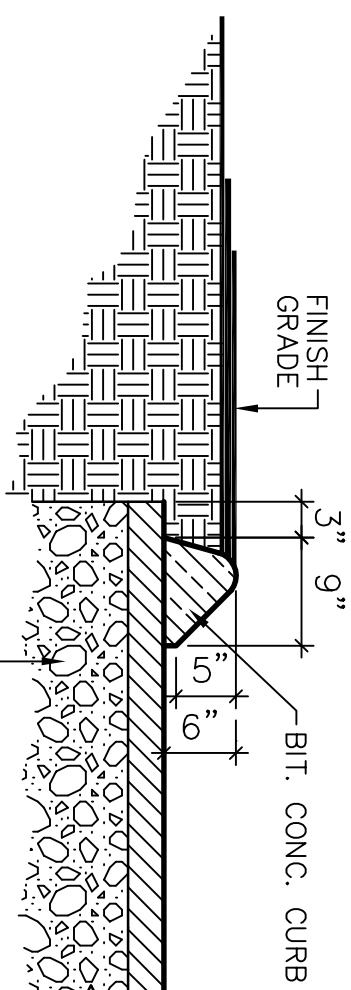
**BITUMINOUS CONCRETE PAVEMENT**  
N.T.S.



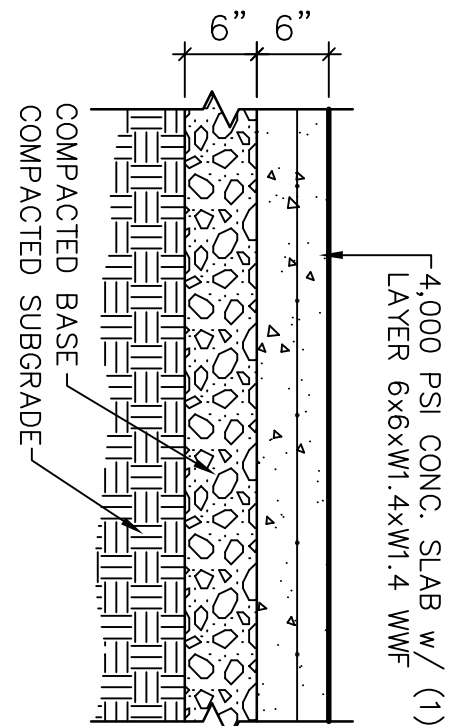
**CONCRETE WALK PAVEMENT**  
N.T.S.



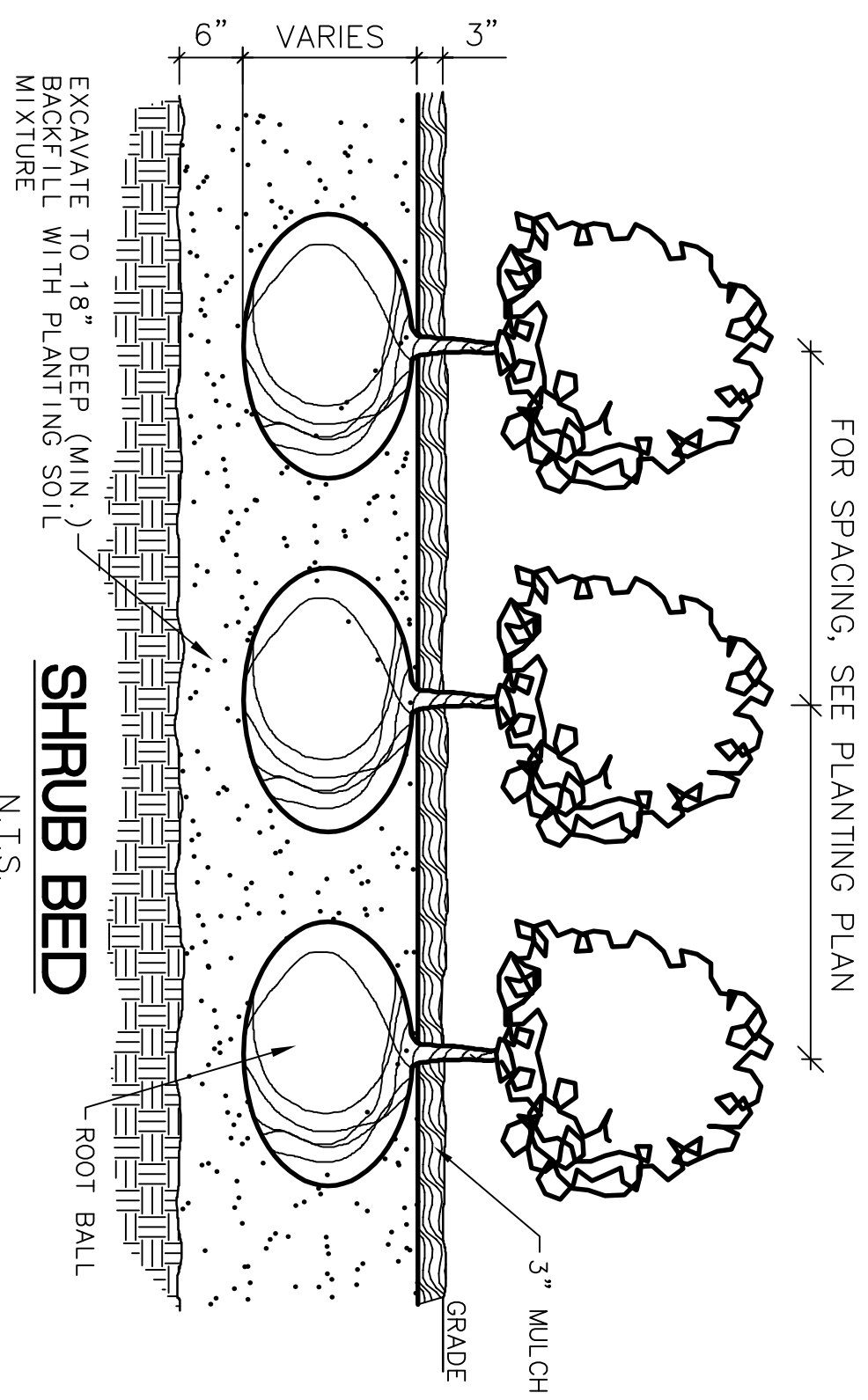
**MONOLITHIC CONCRETE CURB**  
N.T.S.



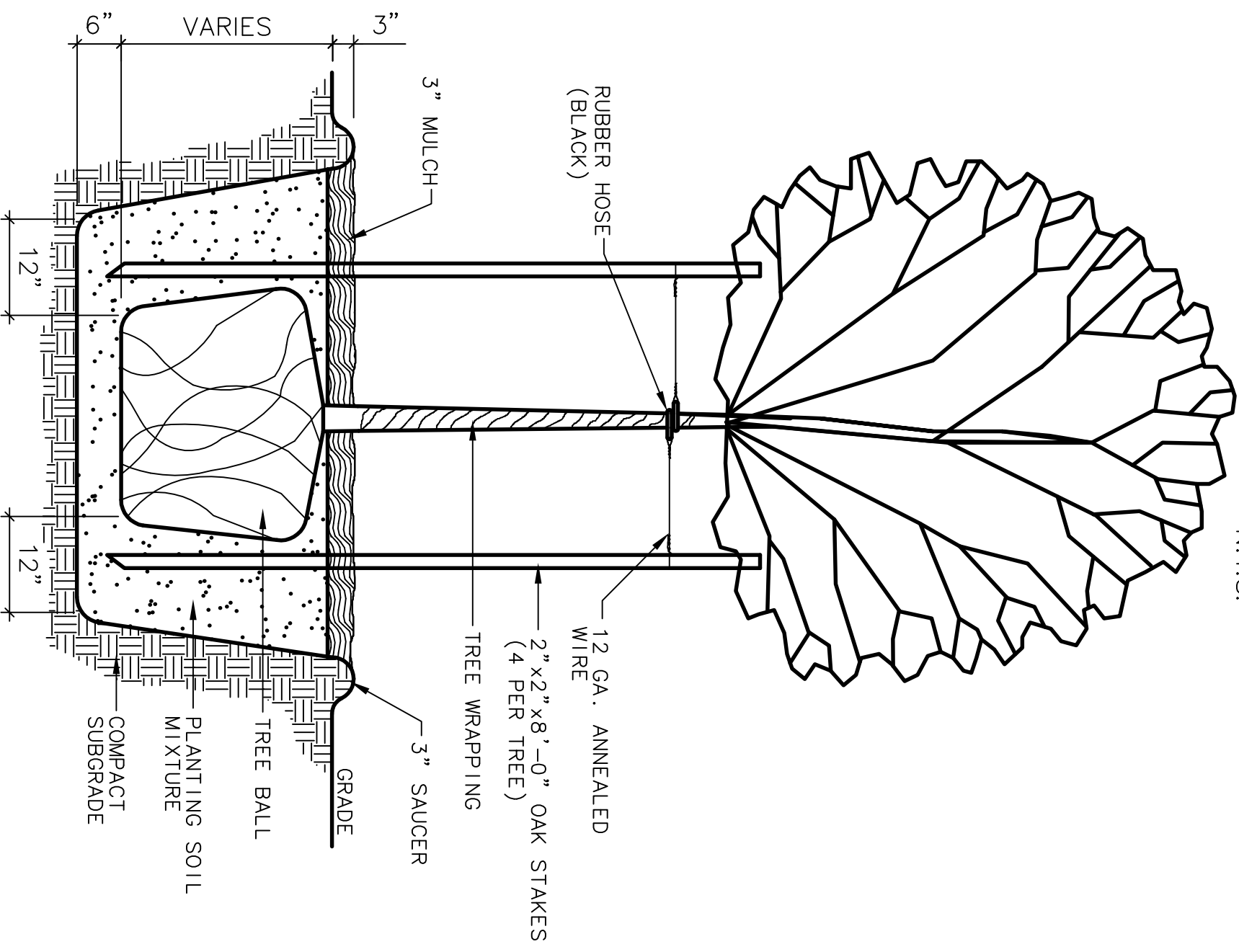
**BITUMINOUS CONCRETE CURB**  
N.T.S.



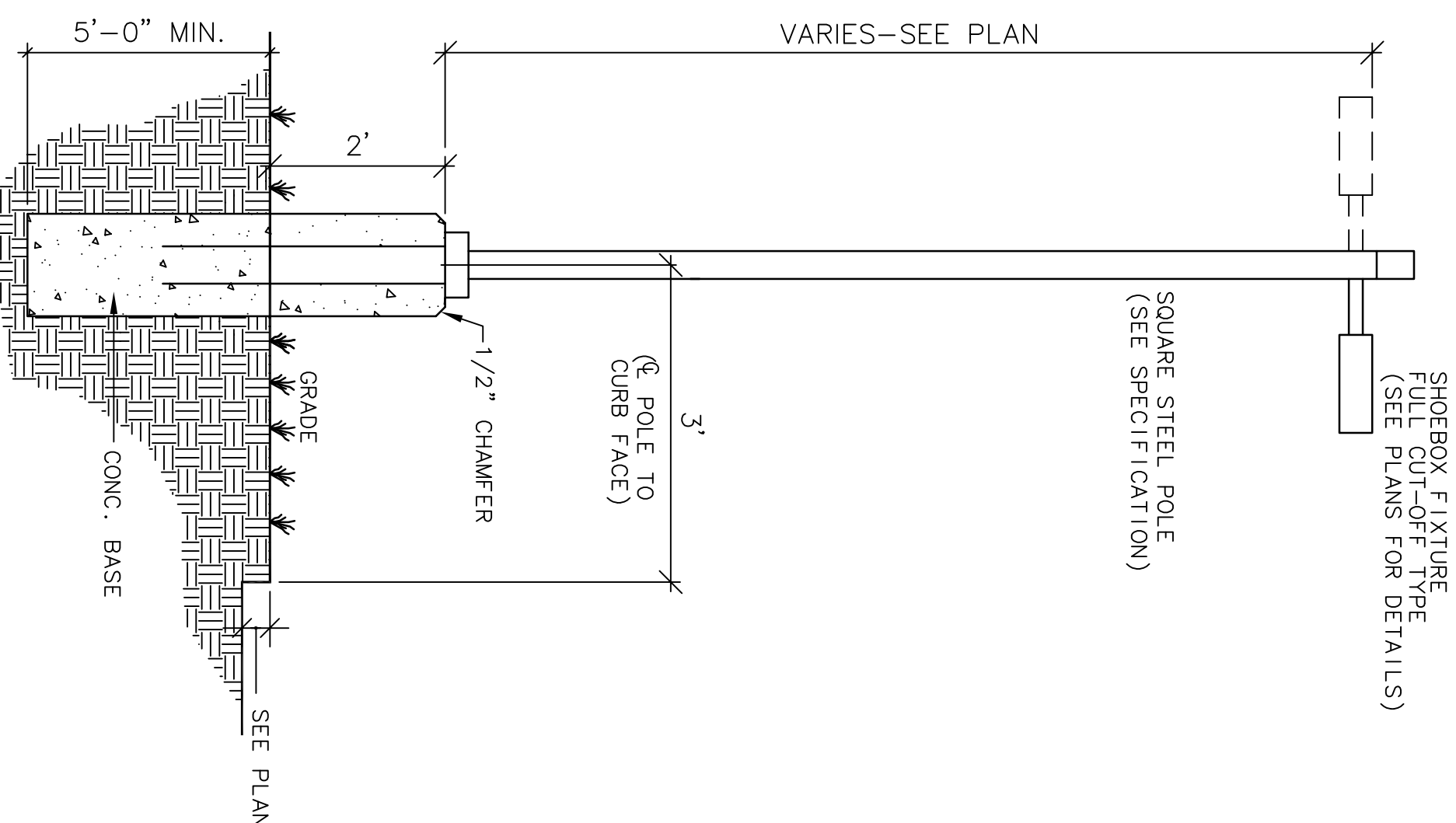
**DUMPSTER PAD**  
N.T.S.



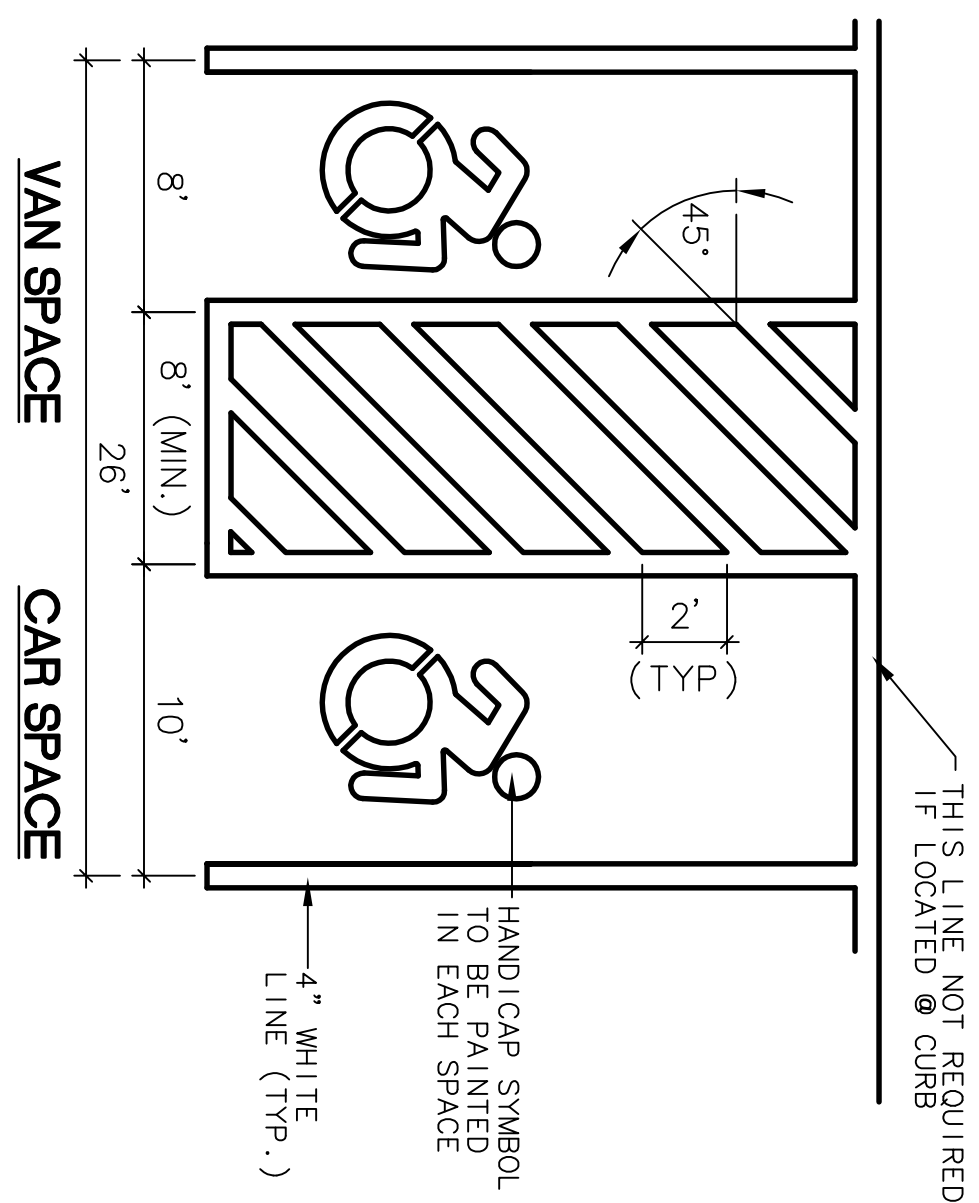
**SHRUB BED**  
N.T.S.



**TREE PLANTING**  
(FOR TREES UNDER 3\"/> N.T.S.

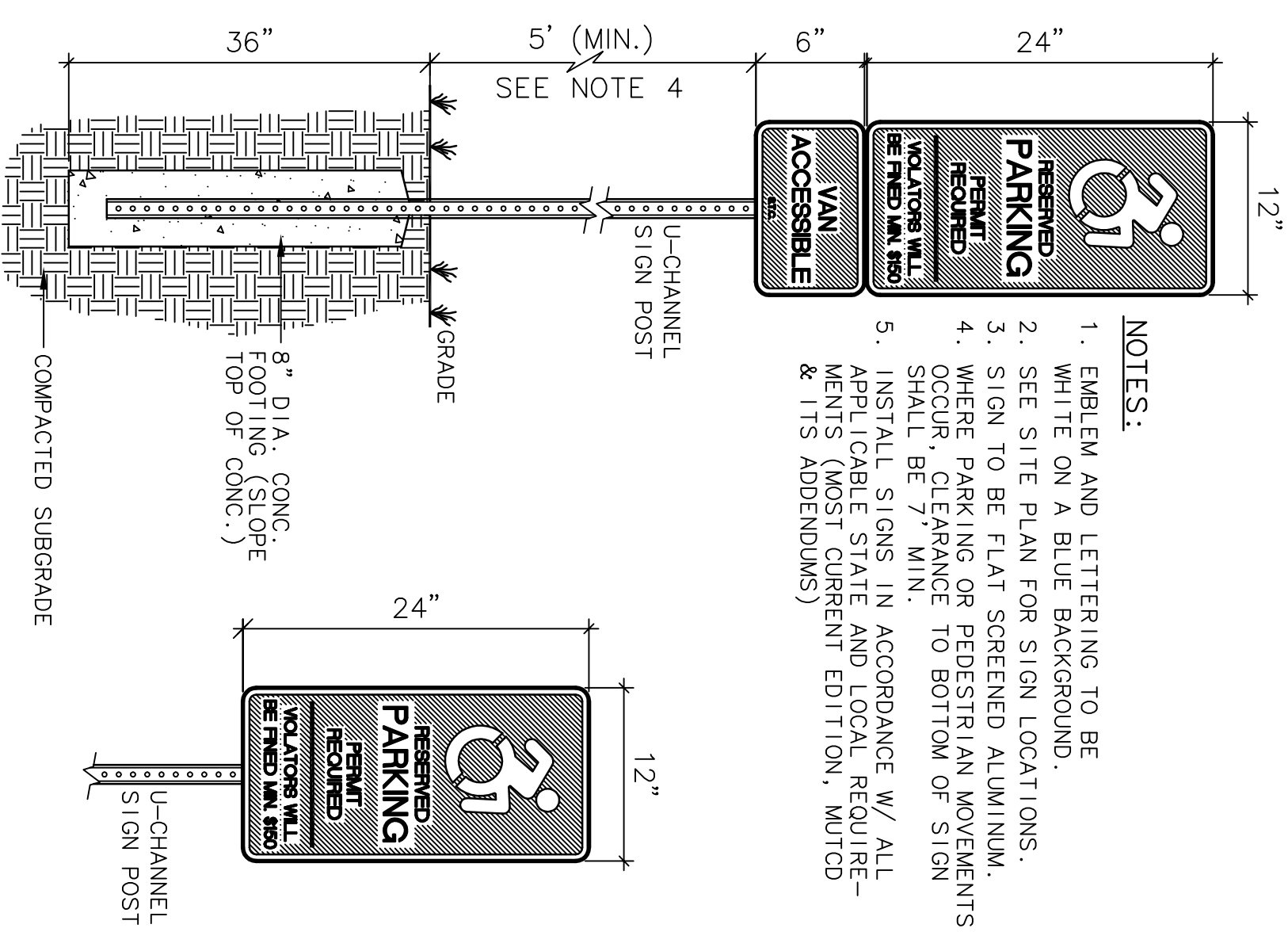


**PARKING LOT LIGHT**  
N.T.S.



**HANDICAP ACCESSIBLE PARKING STALLS**  
N.T.S.

- NOTES:
- HATCHED ACCESS AISLES FOR HANDICAP SPACES MAY BE SHARED.
  - HATCHED ACCESS AISLES MAY BE ON EITHER SIDE OF THE VAN OR CAR SPACES. HOWEVER, ANGLED VAN SPACES SHALL HAVE THE ACCESS AISLE ON THE PASSENGER SIDE OF THE PARKING SPACE.



**HANDICAP PARKING SIGNS**  
N.T.S.

- NOTES:
- EMBLEM AND LETTERING TO BE WHITE ON A BLUE BACKGROUND.
  - SEE SITE PLAN FOR SIGN LOCATIONS.
  - SIGN TO BE FLAT SCREENED ALUMINUM.
  - WHERE PARKING OR PEDESTRIAN MOVEMENTS SHALL BE 7' MIN.
  - INSTALL SIGNS IN ACCORDANCE W/ ALL APPLICABLE STATE AND LOCAL REQUIREMENTS (MOST CURRENT EDITION, MUTCD & ITS ADDENDUMS)

**PROJECT**  
TORRINGTON FARMS SERVICE CENTER  
341 PINWOODS ROAD, TORRINGTON, CT 06790

**DRAWN BY** G.R.W. **APPROVED BY** A.R.B.

**DATE** 05-04-21 **SCALE** AS NOTED

2155 EAST MAIN STREET TORRINGTON, CT 06790  
860-482-7613/WEB: WWW.BORGHESIENGINEERING.COM

REVISIONS

NO.	DESCRIPTION

SEAL

**Borghesi**  
Building & Engineering Co., Inc.

SHEET NO.  
SPD3

© BORGHESI ENGINEERING & ENGINEERING CO., INC.  
THIS WORK MAY BE USED, REPRODUCED, DISTRIBUTED,  
OR BY ANY OTHER MEANS WITHOUT THE EXPRESS WRITTEN  
CONSENT OF BORGHESI ENGINEERING & ENGINEERING CO., INC.  
\\server1\p\Drawings\West\Torrington Farms Service Center\Torrington Farms spd3.dwg 5/4/2021 12:50:02 PM EDT